

PARTS LIST

CAUTION

- The parts identified by the \triangle symbol are important for the safety . Whenever replacing these parts, be sure to use specified ones to secure the safety .
- The parts not indicated in this Parts List and those which are filled with lines --- in the Parts No. columns will not be supplied .
- P. W. Board Ass'y will not be supplied, but those which are filled with the Parts No. in the Parts No. columns will be supplied .

ABBREVIATIONS OF RESISTORS, CAPACITORS AND TOLERANCES

RESISTORS		CAPACITORS	
C R	Carbon Resistor	C CAP.	Ceramic Capacitor
F R	Fusible Resistor	E CAP.	Electrolytic Capacitor
P R	Plate Resistor	M CAP.	Mylar Capacitor
V R	Variable Resistor	HV CAP.	High Voltage Capacitor
HV R	High Voltage Resistor	MF CAP.	Metalized Film Capacitor
MF R	Metal Film Resistor	MM CAP.	Metalized Mylar Capacitor
MG R	Metal Glazed Resistor	MP CAP.	Metalized Polystyrol Capacitor
MP R	Metal Plate Resistor	PP CAP.	Polypropylene Capacitor
OM R	Metal Oxide Film Resistor	PS CAP.	Polystyrol Capacitor
CMF R	Coating Metal Film Resistor	TF CAP.	Thin Film Capacitor
UNF R	Non-Flammable Resistor	MPP CAP.	Metalized Polypropylene Capacitor
CH V R	Chip Variable Resistor	TAN. CAP.	Tantalum Capacitor
CH MG R	Chip Metal Glazed Resistor	CH C CAP.	Chip Ceramic Capacitor
COMP. R	Composition Resistor	BP E CAP.	Bi-Polar Electrolytic Capacitor
LPTC R	Linear Positive Temperature Coefficient Resistor	CH AL E CAP.	Chip Aluminum Electrolytic Capacitor
		CH AL BP CAP.	Chip Aluminum Bi-Polar Capacitor
		CH TAN. E CAP.	Chip Tantalum Electrolytic Capacitor
		CH AL BP E CAP.	Chip Tantalum Bi-Polar Electrolytic Capacitor

RESISTORS									
F	G	J	K	M	N	R	H	Z	P
±1%	±2%	±5%	±10%	±20%	±30%	+30% -10%	+50% -10%	+80% -20%	+100% 0%

CONTENTS

USING P.W. BOARD & REMOTE CONTROL UNIT	47
EXPLODED VIEW PARTS LIST-I	47
EXPLODED VIEW-I	47
EXPLODED VIEW PARTS LIST-II	48
EXPLODED VIEW-II	49
EXPLODED VIEW PARTS LIST-III	50
EXPLODED VIEW-III	51
PRINTED WIRING BOARD PARTS LIST (AV-21LXB, AV-21LXB-A)	
MAIN PW BOARD ASS'Y	52
REMOTE CONTROL UNIT PARTS LIST (RM-C356-1C)	56
PRINTED WIRING BOARD PARTS LIST (AV-25LXB, AV-25LXB-A)	
MAIN PW BOARD ASS'Y	57
REMOTE CONTROL UNIT PARTS LIST (RM-C356-1C)	61
PACKING / PACKING PARTS LIST	62

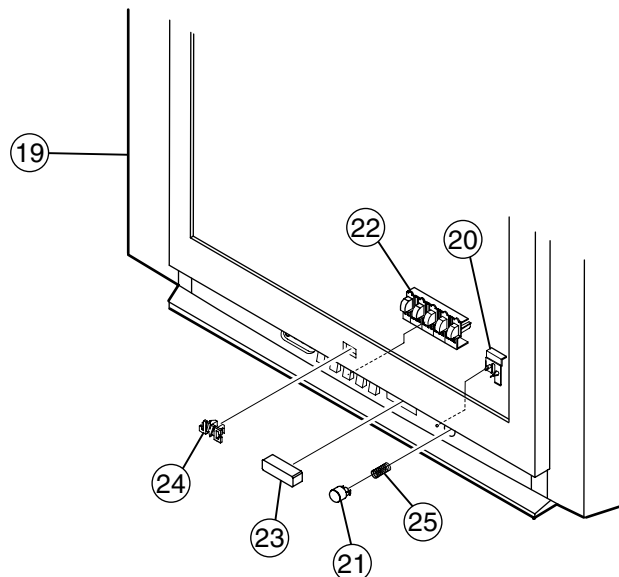
USING P.W. BOARD & REMOTE CONTROL UNIT

P.W.B ASS'Y	Model	AV-21LXB	AV-21LXB-A	AV-25LXB	AV-25LXB-A
MAIN PWB (include CRT SOCKET PWB)		SCH-1009A-H2	←	SCH-1010A-H2	←
REMOTE CONTROL UNIT		RM-C356-1C	←	←	←

EXPLODED VIEW PARTS LIST-I

△ Ref.No.	Part No.	Part Name	Description	Local
19	GG10129-002A-H	FRONT CABI	[AV-21LXB, AV-21LXB-A]	
19	GG10133-002A-H	FRONT CABI	[AV-25LXB, AV-25LXB-A]	
20	GG30021-001A-H	LED LENS		
21	GG30019-001B-H	POWER KNOB		
22	GG20006-001A-H	CONTROL KNOB		
23	GG30020-001A-H	E.E.WINDOW		
24	CM48125-009	JVC MARK		
25	CM35235-003-H	SPRING		

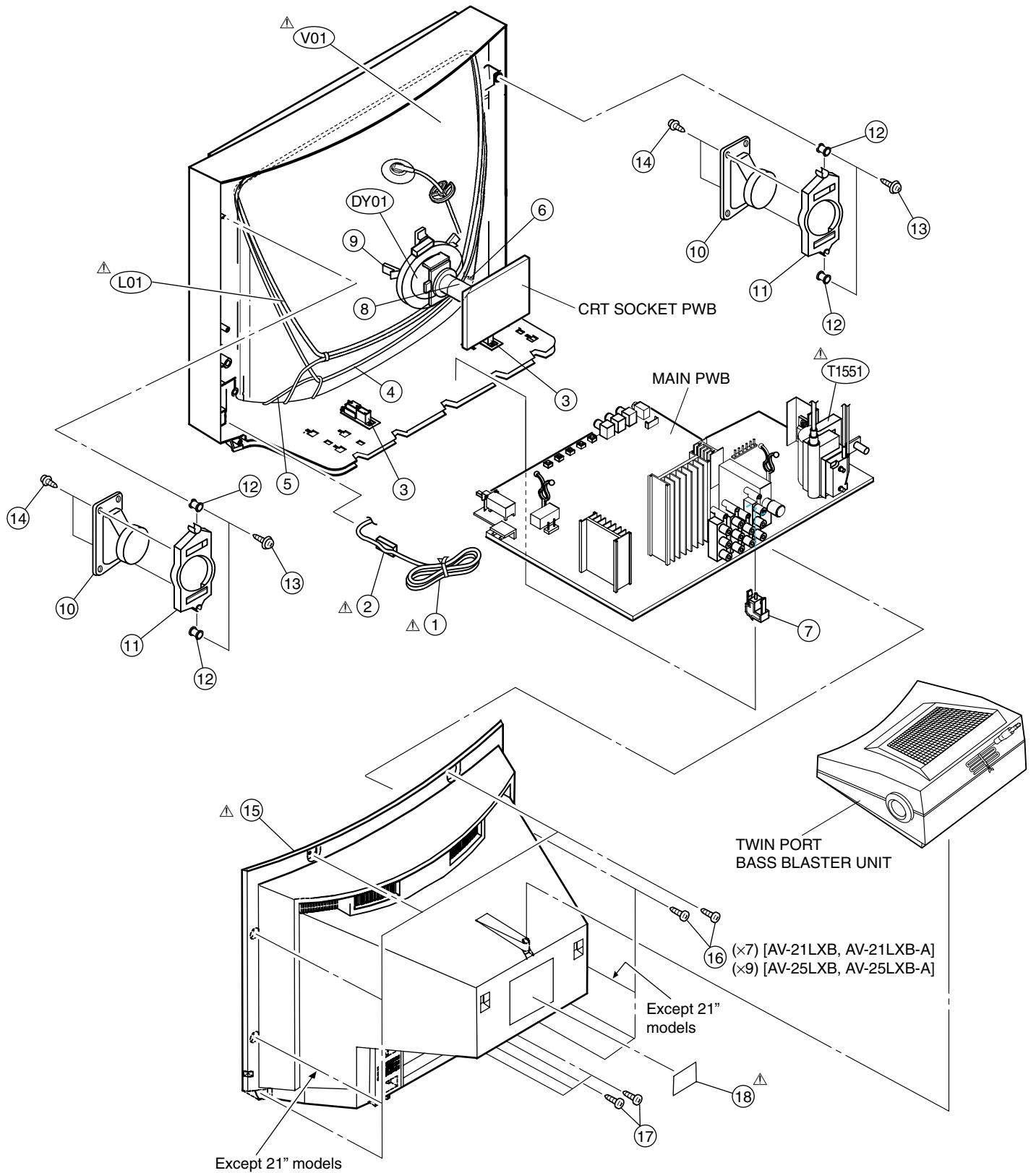
EXPLODED VIEW-I



EXPLODED VIEW PARTS LIST-II

△ Ref.No.	Part No.	Part Name	Description	Local
△ V01	A51QDX992X	PICTURE TUBE	[AV-21LXB, AV-21LXB-A]	
△ V01	A59QDF891X	PICTURE TUBE	[AV-25LXB, AV-25LXB-A]	
△ L01	QQW0118-001	DEG COIL	[AV-21LXB, AV-21LXB-A]	
△ L01	QQW0119-001	DEG COIL	[AV-25LXB, AV-25LXB-A]	
△ DY01	QQD0060-002	DEFLECTION YOKE	[AV-21LXB, AV-21LXB-A]	
△ DY01	QQD0062-001	DEFLECTION YOKE	[AV-25LXB, AV-25LXB-A]	
△ T1551	QQH0104-001	BFT	[AV-21LXB, AV-21LXB-A]	
△ T1551	QQH0097-001	BFT	[AV-25LXB, AV-25LXB-A]	
△ 1	QMP40D0-200J5	POWER CORD	[AV-21LXB, AV-25LXB]	
△ 1	QMPR010-200-E2	POWER CORD	[AV-21LXB-A, AV-25LXB-A]	
△ 2	CM47005-A01-H	CORD CLAMP		
3	CM36623-B01-H	CHASSIS RAIL	(X2)	
4	CHGB0028-0A	BRAIDED ASSY	[AV-21LXB, AV-21LXB-A]	
4	WJY0018-001A	BRAIDED ASSY	[AV-25LXB, AV-25LXB-A]	
5	CHGB0017-0C	BRAIDED ASSY (SUB)		
6	A48457-3-H	SPRING		
7	CM48144-002-H	PB STOPPER		
8	A75034-B	PC MAGNET		
9	CE40764-00A	WEDGE ASSY	(X3) [AV-21LXB, AV-21LXB-A]	
9	CE40764-00A	WEDGE ASSY	(X4) [AV-25LXB, AV-25LXB-A]	
10	QAS0083-001	SPEAKER	(X2) SP01, SP02	
11	LC20371-001D-H	SP HOLDER	(X2)	
12	LC40226-003A-H	SPACER	(X4)	
13	LC40317-002A-H	TAPPING SCREW	(X4)	
14	QYSBSB4012Z	TAPPING SCREW	(X4)	
△ 15	GG10130-002A-H	REAR COVER	[AV-21LXB, AV-21LXB-A]	
△ 15	GG10134-002A-H	REAR COVER	[AV-25LXB, AV-25LXB-A]	
16	QYSBSFG4016Z	TAPPING SCREW	(X7) [AV-21LXB, AV-21LXB-A]	
16	QYSBSFG4016Z	TAPPING SCREW	(X9) [AV-25LXB, AV-25LXB-A]	
17	QYSBSF3010Z	TAPPING SCREW	(X4)	
△ 18	LC20377-010B-H	RATING LABEL	[AV-21LXB, AV-25LXB]	
△ 18	LC20413-002B-H	RATING LABEL	[AV-21LXB-A, AV-25LXB-A]	

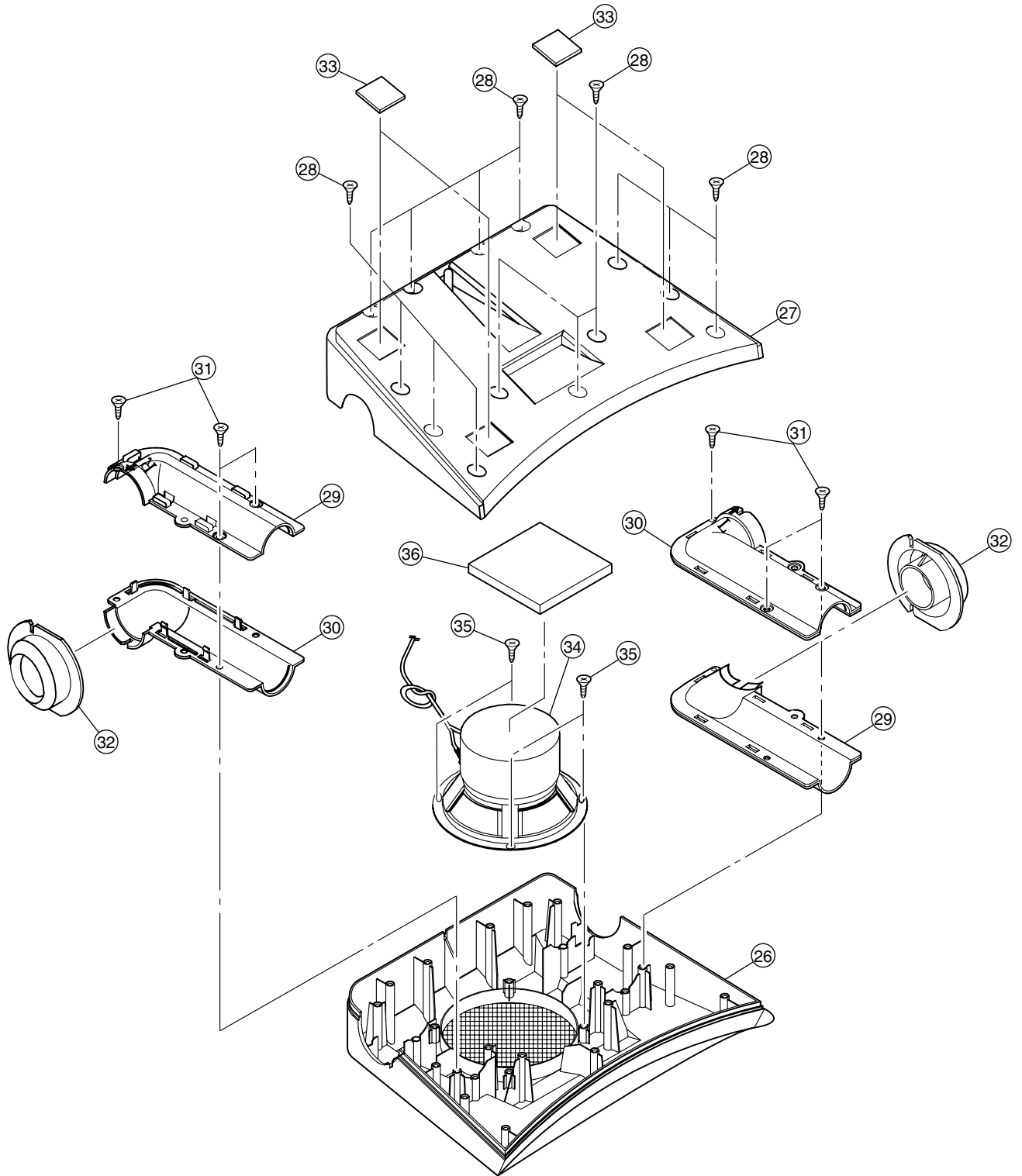
EXPLODED VIEW-II



EXPLODED VIEW PARTS LIST-III

△ Ref.No.	Part No.	Part Name	Description	Local
26	GG10140-001B-H	BASS TOP COVER		
27	GG10141-001B-H	BASS BOTTOM COVER		
28	QYSBSFG4016Z	TAPPING SCREW	(X13)	
29	GG20007-001C-H	BASS INT.DUCT R	(X2)	
30	GG20007-002C-H	BASS INT.DUCT L	(X2)	
31	QYSBSFG4016Z	TAPPING SCREW	(X6)	
32	GG30022-001A-H	BASS DUCT R	(X2)	
33	LC40352-001A-H	RUBBER SHEET	(X4)	
34	QAS0092-001	BASS SPEAKER		
35	QYSBSFG4016Z	TAPPING SCREW	(X4)	
36	LC41211-001A	SOUND ABSORBER		

EXPLODED VIEW-III



PRINTED WIRING BOARD PARTS LIST (AV-21LXB, AV-21LXB-A)**MAIN PW BOARD ASS'Y(SCH-1009A-H2)**

△	Symbol No.	Part No.	Part Name	Description	Local	△	Symbol No.	Part No.	Part Name	Description	Local
RESISTOR						RESISTOR					
	R1001-02	NRSA63J-221X	MG R	220Ω 1/16W J			R1524	QRL02EJ-330X	OM R	33Ω 2W J	
	R1003	NRSA63J-392X	MG R	3.9kΩ 1/16W J			R1526	QRG01GJ-271	OM R	270Ω 1W J	
	R1004	NRSA63J-221X	MG R	220Ω 1/16W J			R1527	QRL03EJ-103X	OM R	10kΩ 3W J	
	R1006	NRSA63J-273X	MG R	27kΩ 1/16W J			R1528-29	QRX029J-1R2	MF R	1.2Ω 2W J	
	R1101	NRSA63J-100X	MG R	10Ω 1/16W J			R1531	NRSA63J-222X	MG R	2.2kΩ 1/16W J	
	R1102	NRSA63J-682X	MG R	6.8kΩ 1/16W J		△	R1532	QRZ9017-4R7	F R	4.7Ω 1/4W J	
	R1103	NRSA63J-272X	MG R	2.7kΩ 1/16W J		△	R1540	QRZ9011-4R7	F R	4.7Ω 1/2W J	
	R1104	NRSA63J-181X	MG R	180Ω 1/16W J			R1541-42	QRE121J-154Y	C R	150kΩ 1/2W J	
	R1105	NRSA63J-220X	MG R	22Ω 1/16W J			R1543	QRE121J-471Y	C R	470Ω 1/2W J	
	R1106	NRSA63J-101X	MG R	100Ω 1/16W J			R1545	QRE121J-220Y	C R	22Ω 1/2W J	
	R1107	NRSA63J-472X	MG R	4.7kΩ 1/16W J			R1546	QRE121J-822Y	C R	8.2kΩ 1/2W J	
	R1108-09	NRSA63J-222X	MG R	2.2kΩ 1/16W J			R1591	QRE121J-222Y	C R	2.2kΩ 1/2W J	
	R1111	NRSA63J-102X	MG R	1kΩ 1/16W J			R1592	QRZ0221-2R2	UNF R	2.2Ω	
	R1112	NRSA63J-103X	MG R	10kΩ 1/16W J			R1593	NRSA63J-102X	MG R	1kΩ 1/16W J	
	R1113	NRSA63J-271X	MG R	270Ω 1/16W J			R1594	QRE121J-183Y	C R	18kΩ 1/2W J	
	R1114	NRSA63J-821X	MG R	820Ω 1/16W J			R1595	NRSA63J-222X	MG R	2.2kΩ 1/16W J	
	R1115	NRSA63J-181X	MG R	180Ω 1/16W J			R1621-22	NRSA63J-101X	MG R	100Ω 1/16W J	
	R1117	NRSA63J-102X	MG R	1kΩ 1/16W J			R1626	NRSA63J-472X	MG R	4.7kΩ 1/16W J	
	R1119	NRSA63J-102X	MG R	1kΩ 1/16W J			R1627	NRSA63J-224X	MG R	220kΩ 1/16W J	
	R1120	NRSA63J-471X	MG R	470Ω 1/16W J			R1628	NRSA63J-104X	MG R	100kΩ 1/16W J	
	R1130	NRSA63J-472X	MG R	4.7kΩ 1/16W J			R1629	NRSA63J-153X	MG R	15kΩ 1/16W J	
	R1131	NRSA63J-471X	MG R	470Ω 1/16W J			R1630	NRSA63J-273X	MG R	27kΩ 1/16W J	
	R1132	NRSA63J-222X	MG R	2.2kΩ 1/16W J			R1631	NRSA63J-473X	MG R	47kΩ 1/16W J	
	R1133	NRSA63J-152X	MG R	1.5kΩ 1/16W J			R1632-33	NRSA63J-103X	MG R	10kΩ 1/16W J	
	R1134	NRSA63J-182X	MG R	1.8kΩ 1/16W J			R1650-51	NRSA63J-103X	MG R	10kΩ 1/16W J	
	R1135	NRSA63J-561X	MG R	560Ω 1/16W J			R1652	NRSA63J-104X	MG R	100kΩ 1/16W J	
	R1136	NRSA63J-472X	MG R	4.7kΩ 1/16W J			R1653-55	NRSA63J-103X	MG R	10kΩ 1/16W J	
	R1137	NRSA63J-103X	MG R	10kΩ 1/16W J			R1656-57	NRSA63J-822X	MG R	8.2kΩ 1/16W J	
	R1138	NRSA63J-561X	MG R	560Ω 1/16W J			R1660	NRSA63J-103X	MG R	10kΩ 1/16W J	
	R1139	NRSA63J-222X	MG R	2.2kΩ 1/16W J			R1661	NRSA63J-683X	MG R	68kΩ 1/16W J	
	R1140	NRSA63J-152X	MG R	1.5kΩ 1/16W J			R1662	NRSA63J-333X	MG R	33kΩ 1/16W J	
	R1141	NRSA63J-182X	MG R	1.8kΩ 1/16W J			R1663	NRSA63J-103X	MG R	10kΩ 1/16W J	
	R1142	NRSA63J-561X	MG R	560Ω 1/16W J			R1664	NRSA63J-222X	MG R	2.2kΩ 1/16W J	
	R1143	NRSA63J-471X	MG R	470Ω 1/16W J			R1688	NRSA63J-273X	MG R	27kΩ 1/16W J	
	R1144	NRSA63J-220X	MG R	22Ω 1/16W J			R1690	NRSA63J-104X	MG R	100kΩ 1/16W J	
	R1145	NRSA63J-821X	MG R	820Ω 1/16W J			R1691	NRSA63J-682X	MG R	6.8kΩ 1/16W J	
	R1146	NRSA63J-103X	MG R	10kΩ 1/16W J			R1692	NRSA63J-104X	MG R	100kΩ 1/16W J	
	R1147	NRSA63J-101X	MG R	100Ω 1/16W J			R1693	NRSA63J-103X	MG R	10kΩ 1/16W J	
	R1148	NRSA63J-332X	MG R	3.3kΩ 1/16W J			R1694	NRSA63J-472X	MG R	4.7kΩ 1/16W J	
	R1149	NRSA63J-122X	MG R	1.2kΩ 1/16W J			R1695	NRSA63J-562X	MG R	5.6kΩ 1/16W J	
	R1301-02	NRSA63J-222X	MG R	2.2kΩ 1/16W J			R1696	NRSA63J-222X	MG R	2.2kΩ 1/16W J	
	R1303	NRSA63J-562X	MG R	5.6kΩ 1/16W J			R1697	NRSA63J-103X	MG R	10kΩ 1/16W J	
	R1304-05	NRSA63J-222X	MG R	2.2kΩ 1/16W J			R1698-99	NRSA63J-104X	MG R	100kΩ 1/16W J	
	R1306	NRSA63J-562X	MG R	5.6kΩ 1/16W J			R1701	NRSA63J-103X	MG R	10kΩ 1/16W J	
	R1350-51	NRSA63J-151X	MG R	150Ω 1/16W J			R1702-03	NRSA63J-101X	MG R	100Ω 1/16W J	
	R1353	NRSA63J-151X	MG R	150Ω 1/16W J			R1704-06	NRSA63J-102X	MG R	1kΩ 1/16W J	
	R1354	QRE121J-222Y	C R	2.2kΩ 1/2W J			R1707-10	NRSA63J-472X	MG R	4.7kΩ 1/16W J	
	R1361	NRSA63J-0R0X	MG R	0.0Ω 1/16W J			R1711-14	NRSA63J-101X	MG R	100Ω 1/16W J	
	R1362	NRSA63J-101X	MG R	100Ω 1/16W J			R1715-17	NRSA63J-103X	MG R	10kΩ 1/16W J	
	R1363	QRZ0107-152Z	C R	1.5kΩ			R1718-19	NRSA63J-221X	MG R	220Ω 1/16W J	
	R1364	QRE121J-222Y	C R	2.2kΩ 1/2W J			R1720	NRSA63J-102X	MG R	1kΩ 1/16W J	
	R1365	QRZ0107-152Z	C R	1.5kΩ			R1721-24	NRSA63J-221X	MG R	220Ω 1/16W J	
	R1368	QRZ0107-152Z	C R	1.5kΩ			R1725	NRSA63J-103X	MG R	10kΩ 1/16W J	
	R1369	QRE121J-222Y	C R	2.2kΩ 1/2W J			R1726	NRSA63J-472X	MG R	4.7kΩ 1/16W J	
	R1373	QRE121J-394Y	C R	390kΩ 1/2W J			R1727	NRSA63J-104X	MG R	100kΩ 1/16W J	
	R1374	QRE121J-124Y	C R	120kΩ 1/2W J			R1728	NRSA63J-103X	MG R	10kΩ 1/16W J	
	R1377	QRE141J-563Y	C R	56kΩ 1/4W J			R1730	NRSA63J-223X	MG R	22kΩ 1/16W J	
	R1380-83	NRSA63J-101X	MG R	100Ω 1/16W J			R1731	NRSA63J-101X	MG R	100Ω 1/16W J	
	R1384	NRSA63J-223X	MG R	22kΩ 1/16W J			R1732	NRSA63J-393X	MG R	39kΩ 1/16W J	
	R1401	NRSA63J-224X	MG R	220kΩ 1/16W J			R1733	NRSA63J-273X	MG R	27kΩ 1/16W J	
	R1403	NRSA63J-0R0X	MG R	0.0Ω 1/16W J			R1734	NRSA63J-391X	MG R	390Ω 1/16W J	
	R1405	NRSA63J-682X	MG R	6.8kΩ 1/16W J			R1735	NRSA63J-104X	MG R	100kΩ 1/16W J	
	R1406	NRSA63J-123X	MG R	12kΩ 1/16W J			R1736	NRSA63J-333X	MG R	33kΩ 1/16W J	
	R1408	NRSA63J-682X	MG R	6.8kΩ 1/16W J			R1737	NRSA63J-272X	MG R	2.7kΩ 1/16W J	
	R1410	NRSA63J-123X	MG R	12kΩ 1/16W J			R1738	NRSA63J-103X	MG R	10kΩ 1/16W J	
	R1411	QRG01GJ-221	OM R	220Ω 1W J			R1739-41	NRSA63J-101X	MG R	100Ω 1/16W J	
	R1412	QRE121J-1R0Y	C R	1.0Ω 1/2W J			R1742	NRSA63J-0R0X	MG R	0.0Ω 1/16W J	
	R1413	QRX01GJ-2R7	MF R	2.7Ω 1W J			R1743	QRE141J-102Y	C R	1kΩ 1/4W J	
	R1414	QRE121J-151Y	C R	150Ω 1/2W J			R1744	NRSA63J-561X	MG R	560Ω 1/16W J	
	R1425	NRSA63J-683X	MG R	68kΩ 1/16W J			R1745	NRSA63J-105X	MG R	1MΩ 1/16W J	
	R1521	NRSA63J-101X	MG R	100Ω 1/16W J			R1746	NRSA63J-333X	MG R	33kΩ 1/16W J	
	R1522	NRSA63J-102X	MG R	1kΩ 1/16W J			R1747	NRSA63J-103X	MG R	10kΩ 1/16W J	

△ Symbol No.	Part No.	Part Name	Description	Local
CAPACITOR				
C1422	QETN1VM-108Z	E CAP.	1000µF 35V M	
C1521	QETN1VM-476Z	E CAP.	47µF 35V M	
C1522	QFLC1HJ-332Z	M CAP.	3300pF 50V J	
C1523	QFLC1HJ-223Z	M CAP.	0.022µF 50V J	
C1524	QFZ0200-612	MPP CAP.	6100pF 1.5kVH ±3%	
C1525	QFZ0200-342	MPP CAP.	3400pF 1.5kVH ±3%	
C1526	QFP32GJ-393	PP CAP.	0.039µF 400V J	
C1527	QFZ0197-154	MPP CAP.	0.15µF 250V J	
C1528	QFZ0197-124	MPP CAP.	0.12µF 250V J	
C1529	QEHR2EM-475Z	E CAP.	4.7µF 250V M	
C1530	QCB32HK-561Z	C CAP.	560pF 500V K	
C1531	QEHR1EM-108Z	E CAP.	1000µF 25V M	
C1533	QEHR1EM-108Z	E CAP.	1000µF 25V M	
C1535	QCB32HK-101Z	C CAP.	100pF 500V K	
C1536	QFLC1HJ-103Z	M CAP.	0.01µF 50V J	
C1540	QFV71HJ-104Z	MF CAP.	0.1µF 50V J	
C1541	QETN2EM-475Z	E CAP.	4.7µF 250V M	
C1550	NCB31CK-104X	C CAP.	0.1µF 16V K	
C1591	QETN1AM-107Z	E CAP.	100µF 10V M	
C1592	QEZ0203-107	E CAP.	100µF 160V M	
C1593	QETN1EM-476Z	E CAP.	47µF 25V M	
C1625	QETN1HM-106Z	E CAP.	10µF 50V M	
C1626	QETN1CM-107Z	E CAP.	100µF 16V M	
C1629	QETN1HM-475Z	E CAP.	4.7µF 50V M	
C1630	NDC31HJ-471X	C CAP.	470pF 50V J	
C1631	NCB31EK-333X	C CAP.	0.033µF 25V K	
C1632	NDC31HJ-471X	C CAP.	470pF 50V J	
C1633	NCB31EK-333X	C CAP.	0.033µF 25V K	
C1634	QETN1HM-106Z	E CAP.	10µF 50V M	
C1635	QETN1HM-475Z	E CAP.	4.7µF 50V M	
C1636-37	QETN1HM-225Z	E CAP.	2.2µF 50V M	
C1638	NCB31EK-333X	C CAP.	0.033µF 25V K	
C1639	NDC31HJ-471X	C CAP.	470pF 50V J	
C1640	QETN1HM-475Z	E CAP.	4.7µF 50V M	
C1641	QETN1CM-107Z	E CAP.	100µF 16V M	
C1642	NCB31CK-104X	C CAP.	0.1µF 16V K	
C1643	NCB31HK-562X	C CAP.	5600pF 50V K	
C1644	QETN1HM-475Z	E CAP.	4.7µF 50V M	
C1645-46	QETN1HM-106Z	E CAP.	10µF 50V M	
C1647	NCB31EK-393X	C CAP.	0.039µF 25V K	
C1648	NCB31HK-223X	C CAP.	0.022µF 50V K	
C1650	QETN1HM-106Z	E CAP.	10µF 50V M	
C1651	QETN1HM-107Z	E CAP.	100µF 50V M	
C1652	QETN1HM-106Z	E CAP.	10µF 50V M	
C1654	QETM1VM-228	E CAP.	2200µF 35V M	
C1655-56	QETM1VM-108	E CAP.	1000µF 35V M	
C1657	QETN1HM-106Z	E CAP.	10µF 50V M	
C1662	QETN1HM-106Z	E CAP.	10µF 50V M	
C1665	NCF31AZ-124X	C CAP.	0.12µF 10V Z	
C1669	NCF31AZ-124X	C CAP.	0.12µF 10V Z	
C1681-83	QETN1CM-227Z	E CAP.	220µF 16V M	
C1684	QETN1HM-106Z	E CAP.	10µF 50V M	
C1702	QETN1HM-106Z	E CAP.	10µF 50V M	
C1703-04	NDC31HJ-220X	C CAP.	22pF 50V J	
C1706	NCB21EK-224X	C CAP.	0.22µF 25V K	
C1707	QETN1CM-107Z	E CAP.	100µF 16V M	
C1709	QETN1CM-107Z	E CAP.	100µF 16V M	
C1710	NCB21EK-224X	C CAP.	0.22µF 25V K	
C1711	NCB31CK-104X	C CAP.	0.1µF 16V K	
C1713	NCB31CK-104X	C CAP.	0.1µF 16V K	
C1714	QETN1CM-476Z	E CAP.	47µF 16V M	
C1720	QETN1CM-476Z	E CAP.	47µF 16V M	
C1725	NCB31HK-681X	C CAP.	680pF 50V K	
C1726	QETN1HM-106Z	E CAP.	10µF 50V M	
C1730-31	NCB21EK-224X	C CAP.	0.22µF 25V K	
C1732	QETN1CM-477Z	E CAP.	470µF 16V M	
C1733	NCB31CK-104X	C CAP.	0.1µF 16V K	
C1734-35	NCB31HK-222X	C CAP.	2200pF 50V K	
C1736-37	QETN1HM-105Z	E CAP.	1µF 50V M	
C1738	NCB31CK-104X	C CAP.	0.1µF 16V K	
C1739	NFV41CJ-104X	MPP CAP.	0.1µF 16V J	
C1740	QETN1HM-225Z	E CAP.	2.2µF 50V M	

△ Symbol No.	Part No.	Part Name	Description	Local
CAPACITOR				
C1741-42	NCB31CK-104X	C CAP.	0.1µF 16V K	
C1743	QETN1CM-477Z	E CAP.	470µF 16V M	
C1744	NCB21HK-102X	C CAP.	1000pF 50V K	
C1745-47	NCB31EK-473X	C CAP.	0.047µF 25V K	
C1749	QETN1HM-106Z	E CAP.	10µF 50V M	
C1751-53	NCB31CK-104X	C CAP.	0.1µF 16V K	
C1760	NCB21EK-104X	C CAP.	0.1µF 25V K	
C1761	QETN1CM-107Z	E CAP.	100µF 16V M	
C1770	QETN1HM-106Z	E CAP.	10µF 50V M	
C1801-04	QETN1HM-106Z	E CAP.	10µF 50V M	
C1805	QFLC1HJ-104Z	M CAP.	0.1µF 50V J	
C1807-08	NCF31AZ-105X	C CAP.	1µF 10V Z	
C1810	NCF31AZ-105X	C CAP.	1µF 10V Z	
C1811	QFLC1HJ-104Z	M CAP.	0.1µF 50V J	
C1812	NCF31AZ-105X	C CAP.	1µF 10V Z	
C1813	NCB31HK-103X	C CAP.	0.01µF 50V K	
C1814	QFLC1HJ-104Z	M CAP.	0.1µF 50V J	
C1815	NCF31AZ-105X	C CAP.	1µF 10V Z	
C1817	NCF31AZ-105X	C CAP.	1µF 10V Z	
C1819	QFLC1HJ-104Z	M CAP.	0.1µF 50V J	
C1820-21	NCF31AZ-105X	C CAP.	1µF 10V Z	
C1822	QETN1CM-477Z	E CAP.	470µF 16V M	
C1823-24	QETN1CM-107Z	E CAP.	100µF 16V M	
C1825	NCB31HK-103X	C CAP.	0.01µF 50V K	
C1826	QFLC1HJ-104Z	M CAP.	0.1µF 50V J	
C1827	NCB31HK-103X	C CAP.	0.01µF 50V K	
C1829-31	NCB31HK-103X	C CAP.	0.01µF 50V K	
C1833	QETN1HM-226Z	E CAP.	22µF 50V M	
C1834	NDC31HJ-181X	C CAP.	180pF 50V J	
C1850	QETN1HM-475Z	E CAP.	4.7µF 50V M	
C1851	NDC31HJ-3R0X	C CAP.	3.0pF 50V J	
C1852	NCF31AZ-224X	C CAP.	0.22µF 10V Z	
C1853-55	QETN1HM-475Z	E CAP.	4.7µF 50V M	
C1856	QETN1HM-105Z	E CAP.	1µF 50V M	
C1857	QETN1CM-107Z	E CAP.	100µF 16V M	
C1858-59	QETN1HM-475Z	E CAP.	4.7µF 50V M	
C1860	NCF21CZ-105X	C CAP.	1µF 16V Z	
C1863	NCB31EK-333X	C CAP.	0.033µF 25V K	
C1867	QETN1HM-106Z	E CAP.	10µF 50V M	
C1868	NCB21CK-334X	C CAP.	0.33µF 16V K	
C1869	NCB31HK-333X	C CAP.	0.033µF 50V K	
C1870	NCB21CK-334X	C CAP.	0.33µF 16V K	
△ C1901	QFZ9073-104	MF CAP.	0.1µF	
△ C1902	QFZ9073-473	MF CAP.	0.047µF	
△ C1903-05	QCZ9015-102Z	C CAP.	1000pF	250V Z
△ C1906	QFZ9073-224	MF CAP.	0.22µF	
C1907	QEZO199-227	E CAP.	220µF400V	M
C1908	QCZ0364-222	C CAP.	2200pF	
C1910	NDC21HJ-471X	C CAP.	470pF 50V J	
C1911	QETN1EM-227Z	E CAP.	220µF 25V M	
C1913	QCZ0122-471	C CAP.	470pF	
C1914	QETN1EM-227Z	E CAP.	220µF 25V M	
C1915	QFLC1HJ-122Z	M CAP.	1200pF 50V J	
C1952	QCB32HK-471Z	C CAP.	470pF 500V K	
C1953	QETM1VM-108	E CAP.	1000µF 35V M	
C1954	NCB31HK-102X	C CAP.	1000pF 50V K	
C1957	QCB32HK-471Z	C CAP.	470pF 500V K	
C1958	QETN1CM-108Z	E CAP.	1000µF 16V M	
C1959	QCZ0364-561	C CAP.	560pF	
C1960	QEZO203-107	E CAP.	100µF 160V M	
C1962	QETN1HM-106Z	E CAP.	10µF 50V M	
C1963-64	QETN1CM-476Z	E CAP.	47µF 16V M	
C1968	NCB31CK-104X	C CAP.	0.1µF 16V K	
C1972	QETN1HM-476Z	E CAP.	47µF 50V M	
C1973	QETN1AM-107Z	E CAP.	100µF 10V M	
C1974	NCB31CK-104X	C CAP.	0.1µF 16V K	
C1975	QETN1CM-227Z	E CAP.	220µF 16V M	
C1976	QETN1AM-107Z	E CAP.	100µF 10V M	
C1977	QETN1EM-476Z	E CAP.	47µF 25V M	
C1978	NCB21HK-104X	C CAP.	0.1µF 50V K	
C1980	QETN1CM-107Z	E CAP.	100µF 16V M	
△ C1991-93	QCZ9079-102	C CAP.	1000pF	250V M

△ Symbol No.	Part No.	Part Name	Description	Local	△ Symbol No.	Part No.	Part Name	Description	Local
TRANSFORMER					TRANSISTOR				
T1521	CE40203-00CJ1	DRIVE TRANSF.			Q1101	2SC5083/L-P/-T	SI.TRANSISTOR		
△ T1551	QQH0104-001	FBT			Q1102	DTC124EKA-X	DIGI.TRANSISTOR		
△ T1901	QQS0121-001	SW TRANSF			Q1104	2SA1037AK/QR/-X	SI.TRANSISTOR		
COIL					TRANSISTOR				
L1001-02	QQL244K-8R2Z	COIL	8.2μH	K	Q1105-06	DTC124EKA-X	DIGI.TRANSISTOR		
L1101-02	QQL244K-5R6Z	COIL	5.6μH	K	Q1107	2SA1037AK/QR/-X	SI.TRANSISTOR		
L1103	QQL244K-100Z	COIL	10μH	K	Q1108	2SC2412K/QR/-X	SI.TRANSISTOR		
L1104	QQL244K-180Z	COIL	18μH	K	Q1109	2SA1037AK/QR/-X	SI.TRANSISTOR		
L1351	QQL244K-5R6Z	COIL	5.6μH	K	Q1110	DTC124EKA-X	DIGI.TRANSISTOR		
L1523	QQR1005-004	LINEARITY COIL			Q1111	2SC2412K/QR/-X	SI.TRANSISTOR		
L1524	QQLZ034-360	HEATER CHOKE			Q1130	2SA1037AK/QR/-X	SI.TRANSISTOR		
L1701-02	QQL244K-100Z	COIL	10μH	K	Q1131	DTC124EKA-X	DIGI.TRANSISTOR		
L1731	QQL244J-5R6Z	COIL	5.6μH	J	Q1132	2SC2412K/QR/-X	SI.TRANSISTOR		
L1951	QQLZ034-460	HEATER CHOKE			Q1133	2SA1037AK/QR/-X	SI.TRANSISTOR		
L1954	QQL244J-5R6Z	COIL	5.6μH	J	Q1134-35	DTC124EKA-X	DIGI.TRANSISTOR		
DIODE					TRANSISTOR				
D1101	DAN235K-X	SI.DIODE			Q1351	2SA1037AK/QR/-X	SI.TRANSISTOR		
D1351	MA111-X	SI.DIODE			Q1352	2SC4212/Z1/	SI.TRANSISTOR		
D1356	MA111-X	SI.DIODE			Q1353-55	2SC2412K/QR/-X	SI.TRANSISTOR		
D1357	RGP10J-5025-T3	SI.DIODE			Q1521	2SC2655/Y/-T	SI.TRANSISTOR		
D1358	RGP10J-5025-T3	SI.DIODE			Q1522	2SD2634-YD	SI.TRANSISTOR		
D1359	RGP10J-5025-T3	SI.DIODE			Q1591	2SA1208/ST/Z1-T	SI.TRANSISTOR		
D1360	MA3075/M/-X	ZENER DIODE			Q1592	DTC124EKA-X	DIGI.TRANSISTOR		
D1361-64	MA111-X	SI.DIODE			Q1650	DTC323TK-X	DIGI.TRANSISTOR		
D1401	RGP10J-5025-T3	SI.DIODE			Q1651	DTC124EKA-X	DIGI.TRANSISTOR		
D1402	MTZJ75-T2	ZENER DIODE			Q1660-61	2SC2412K/QR/-X	SI.TRANSISTOR		
D1405	1N4003-T2	SI.DIODE			Q1683-84	2SA1037AK/QR/-X	SI.TRANSISTOR		
D1408	MA111-X	SI.DIODE			Q1685-86	DTC323TK-X	DIGI.TRANSISTOR		
D1521	ERB06-15-F1	SI.DIODE			Q1687	2SC2412K/QR/-X	SI.TRANSISTOR		
D1522	RU3AM-LFC4	SI.DIODE			Q1688	2SA1037AK/QR/-X	SI.TRANSISTOR		
D1523	RGP10J-5025-T3	SI.DIODE			Q1701-02	2SA1037AK/QR/-X	SI.TRANSISTOR		
D1541	RGP10J-5025-T3	SI.DIODE			Q1703	2SC2412K/QR/-X	SI.TRANSISTOR		
D1550	MA111-X	SI.DIODE			Q1720	2SA1037AK/QR/-X	SI.TRANSISTOR		
D1551	RGP10J-5025-T3	SI.DIODE			Q1770	2SA1037AK/QR/-X	SI.TRANSISTOR		
D1553	RGP10J-5025-T3	SI.DIODE			Q1801-02	DTC323TK-X	DIGI.TRANSISTOR		
D1554	RGP10J-5025-T3	SI.DIODE			Q1803	2SA1037AK/QR/-X	SI.TRANSISTOR		
D1592	MA3075/H/-X	ZENER DIODE			Q1804	2SC1740S/QR/-T	SI.TRANSISTOR		
D1651-53	MA3330/L/-X	ZENER DIODE			Q1850	2SK301/P/-T	F.E.T.		
D1654	MA111-X	SI.DIODE			Q1851-52	2SC2412K/QR/-X	SI.TRANSISTOR		
D1682	MA111-X	SI.DIODE			Q1860	2SC2412K/QR/-X	SI.TRANSISTOR		
D1702	MA3024-X	ZENER DIODE			Q1861-62	2SA1037AK/QR/-X	SI.TRANSISTOR		
D1730-33	MA111-X	SI.DIODE			Q1952-54	2SC2412K/QR/-X	SI.TRANSISTOR		
D1760	SLR-342VR-T16	L.E.D.			IC				
D1770	MA111-X	SI.DIODE			IC1130	M52342SP	I.C(MONO-ANA)		
D1771	P1241-04	C.D.S.			IC1351	TDA6107Q/N2	I.C		
D1801-02	MA3120/M/-X	ZENER DIODE			IC1401	AN5522	I.C		
D1850	MA3043-X	ZENER DIODE			IC1602	BH3866AS	I.C		
D1851-54	MA111-X	SI.DIODE			IC1650	AN7585	I.C		
D1901	GSIB460	BRIDGE DIODE			IC1701	TDA9386N12S0450	I.C		
D1903	MTZJ12C-T2	ZENER DIODE			IC1702	AT24C08-25LXB	I.C(MEMORY-OTH)	(SERVICE)	
D1904	EG01C-T2	SI.DIODE			IC1760	GP1U281Q	IFR DETECT UNIT		
D1906	EG01C-T2	SI.DIODE			IC1801	MM1492AF	I.C		
D1907	MA3300/M/-X	CHIP ZENER DIODE			IC1850	BA10324AF-XE	I.C(MONO-ANA)		
D1908	MTZJ27B-T2	ZENER DIODE			IC1901	STR-F6709A/F7	I.C		
D1909	MA111-X	SI.DIODE			IC1951	SE135N	I.C(HYBRID)		
D1910	NRSA63J-0R0X	MG R	0.0Ω 1/16W	J	IC1972	L88M33T-X	I.C		
D1911	RGP10J-TS-T3	SI.DIODE			IC1974	BA51W12ST-V5	I.C(MONO-ANA)		
D1912	1SS133-T2	SI.DIODE			OTHERS				
D1914	ERC30-02L38	SI.DIODE			LC30114-001C-H	L.E.D.HOLDER			
D1952	FSF05A20	SI.DIODE			CM35921-005-H	CDS HOLDER			
D1954	RK14-T3	SI.DIODE			CF1103	TPSH6.0MB	CERAMIC FILTER		
D1955	1SR35-400A-T2	SI.DIODE			CF1104	TPS6.5MW	CERAMIC FILTER		
D1956	RU3AM-LFC4	SI.DIODE			CF1105	TPS6.5MB	CERAMIC FILTER		
D1958	MTZJ5.1A-T2	ZENER DIODE			CF1106	QAX0639-001Z	CERAMIC FILTER		
D1964	MA3330/L/-X	ZENER DIODE			CF1130	QAX0642-001Z	CERAMIC FILTER		
D1965	1SS133-T2	SI.DIODE			CF1140	QAX0336-001	CERAMIC FILTER		
D1966	MA3068/M/-X	ZENER DIODE			CF1141	QAX0337-001	CERAMIC FILTER		
D1968-69	MA111-X	SI.DIODE			CF1142	QAX0338-001	CERAMIC FILTER		
					CL1001	QZW0028-002	WIRE CLAMP		

△ Symbol No.	Part No.	Part Name	Description	Local
OTHERS				
△ CP1951	ICP-N75-Y	I.C.PROTECT		
△ CP1953	ICP-N38-Y	I.C.PROTECT		
△ F1901	QMF51E2-4R0J4	FUSE		
FC1901	CEMG002-001Z	FUSE CLIP		
J1770	QNS0155-001	JACK		
J1771	QNN0282-003	PIN JACK		
J1772	QNN0282-002	PIN JACK		
J1773	QNN0282-001	PIN JACK		
J1774	QNS0100-001	3.5 JACK		
J1801	QNN0349-001	PIN JACK		
J1802	QNN0349-002	PIN JACK		
J1803	QNN0348-001	PIN JACK		
J1804	QNN0349-001	PIN JACK		
K1101-03	QQR1214-001Y	FERRITE BEADS		
K1104	CE42050-001Z	CORE		
K1701	QQR1214-001Y	FERRITE BEADS		
K1951	QQR1214-001Y	FERRITE BEADS		
K1954-55	QQR1214-001Y	FERRITE BEADS		
△ LF1901	QQR0673-004	LINE FILTER		
△ LF1902	QQR1035-002	LINE FILTER		
△ PC1901	PC123F2	I.C(PH.COUPLER)		
△ RY1901	QSK0061-001	RELAY		
S1780	QSW0619-003Z	PUSH SWITCH	MENU	
S1781	QSW0619-003Z	PUSH SWITCH	CH-	
S1782	QSW0619-003Z	PUSH SWITCH	CH+	
S1783	QSW0619-003Z	PUSH SWITCH	VOL-	
S1784	QSW0619-003Z	PUSH SWITCH	VOL+	
△ S1901	QSW0846-001	PUSH SWITCH	POWER	
SF1101	QAX0325-001	SAW FILTER		
SF1102	QAX0594-001	SAW FILTER		
SG1301-03	QAF0006-501	SPARK GAP		
SG1304	QAF0041-272	SPARK GAP		
△ SK1351	CE42446-001	C.R.T.SOCKET		
TH1901	QAD0134-4R5	W-PTC		
TU1001	QAU0185-004	TUNER		
△ VA1901	QAF0052-621	VARIATOR		
W1003	QQR1214-001Y	FERRITE BEADS		
W1008	NRSA63J-OR0X	MG R	0.0Ω 1/16W J	
W1010	NRSA63J-OR0X	MG R	0.0Ω 1/16W J	
W1071	NRSA63J-OR0X	MG R	0.0Ω 1/16W J	
W1239	NRSA63J-OR0X	MG R	0.0Ω 1/16W J	
W1257-58	NRSA63J-OR0X	MG R	0.0Ω 1/16W J	
W1260	NRSA63J-OR0X	MG R	0.0Ω 1/16W J	
W1299	NRSA63J-OR0X	MG R	0.0Ω 1/16W J	
W1307	NRSA63J-OR0X	MG R	0.0Ω 1/16W J	
W1309	NRSA63J-OR0X	MG R	0.0Ω 1/16W J	
W1321-22	NRSA63J-OR0X	MG R	0.0Ω 1/16W J	
W1325-26	NRSA63J-OR0X	MG R	0.0Ω 1/16W J	
W1330	NRSA63J-OR0X	MG R	0.0Ω 1/16W J	
W1333	NRSA63J-OR0X	MG R	0.0Ω 1/16W J	
W1379	NRSA63J-OR0X	MG R	0.0Ω 1/16W J	
W1388	NRSA63J-OR0X	MG R	0.0Ω 1/16W J	
W1416	NRSA63J-OR0X	MG R	0.0Ω 1/16W J	
W1418	NRSA63J-OR0X	MG R	0.0Ω 1/16W J	
W1428	NRSA63J-OR0X	MG R	0.0Ω 1/16W J	
W1430	NRSA63J-OR0X	MG R	0.0Ω 1/16W J	
X1701	QAX0688-001	X TAL		
Y1001-02	NRSA63J-OR0X	MG R	0.0Ω 1/16W J	
Y1130	NRSA63J-OR0X	MG R	0.0Ω 1/16W J	
Y1301-02	NRSA63J-OR0X	MG R	0.0Ω 1/16W J	
Y1601	NRSA63J-OR0X	MG R	0.0Ω 1/16W J	

REMOTE CONTROL UNIT PARTS LIST (RM-C356-1C)

△ Ref.No.	Part No.	Part Name	Description	Local
	31392340128	BATTERY COVER		

PRINTED WIRING BOARD PARTS LIST (AV-25LXB, AV-25LXB-A)

MAIN PW BOARD ASS'Y(SCH-1010A-H2)

△	Symbol No.	Part No.	Part Name	Description	Local	△	Symbol No.	Part No.	Part Name	Description	Local
RESISTOR						RESISTOR					
	R1001-02	NRSA63J-221X	MG R	220Ω 1/16W J			R1486	NRSA63J-272X	MG R	2.7kΩ 1/16W J	
	R1003	NRSA63J-392X	MG R	3.9kΩ 1/16W J			R1487	NRSA63J-333X	MG R	33kΩ 1/16W J	
	R1004	NRSA63J-221X	MG R	220Ω 1/16W J			R1489	NRSA63J-122X	MG R	1.2kΩ 1/16W J	
	R1006	NRSA63J-273X	MG R	27kΩ 1/16W J			R1490	NRSA63J-102X	MG R	1kΩ 1/16W J	
	R1101	NRSA63J-100X	MG R	10Ω 1/16W J			R1491	NRSA63J-562X	MG R	5.6kΩ 1/16W J	
	R1102	NRSA63J-682X	MG R	6.8kΩ 1/16W J			R1492	NRSA63J-822X	MG R	8.2kΩ 1/16W J	
	R1103	NRSA63J-272X	MG R	2.7kΩ 1/16W J			R1493	QRE121J-223Y	C R	22kΩ 1/2W J	
	R1104	NRSA63J-181X	MG R	180Ω 1/16W J			R1494	QRL03EJ-470X	OM R	47Ω 3W J	
	R1105	NRSA63J-220X	MG R	22Ω 1/16W J			R1521	NRSA63J-101X	MG R	100Ω 1/16W J	
	R1106	NRSA63J-101X	MG R	100Ω 1/16W J			R1522	NRSA63J-102X	MG R	1kΩ 1/16W J	
	R1107	NRSA63J-472X	MG R	4.7kΩ 1/16W J			R1524	QRL03EJ-820X	OM R	82Ω 3W J	
	R1108-09	NRSA63J-222X	MG R	2.2kΩ 1/16W J			R1526	QRL029J-271	OM R	270Ω 2W J	
	R1111	NRSA63J-102X	MG R	1kΩ 1/16W J			R1527	QRL03EJ-103X	OM R	10kΩ 3W J	
	R1112	NRSA63J-103X	MG R	10kΩ 1/16W J			R1528	QRX029J-R47	MF R	0.47Ω 2W J	
	R1113	NRSA63J-271X	MG R	270Ω 1/16W J			R1529	QRX029J-R47	MF R	0.47Ω 2W J	
	R1114	NRSA63J-821X	MG R	820Ω 1/16W J			R1531	NRSA63J-222X	MG R	2.2kΩ 1/16W J	
	R1115	NRSA63J-181X	MG R	180Ω 1/16W J		△	R1532	QRZ9017-4R7	F R	4.7Ω 1/4W J	
	R1117	NRSA63J-102X	MG R	1kΩ 1/16W J		△	R1540	QRZ9011-4R7	F R	4.7Ω 1/2W J	
	R1119	NRSA63J-102X	MG R	1kΩ 1/16W J			R1541	QRE121J-154Y	C R	150kΩ 1/2W J	
	R1120	NRSA63J-471X	MG R	470Ω 1/16W J			R1542	QRE121J-124Y	C R	120kΩ 1/2W J	
	R1130	NRSA63J-472X	MG R	4.7kΩ 1/16W J			R1543	QRE121J-471Y	C R	470Ω 1/2W J	
	R1131	NRSA63J-471X	MG R	470Ω 1/16W J			R1545	QRE121J-220Y	C R	22Ω 1/2W J	
	R1132	NRSA63J-222X	MG R	2.2kΩ 1/16W J			R1546	QRE121J-822Y	C R	8.2kΩ 1/2W J	
	R1133	NRSA63J-152X	MG R	1.5kΩ 1/16W J			R1591	QRE121J-472Y	C R	4.7kΩ 1/2W J	
	R1134	NRSA63J-182X	MG R	1.8kΩ 1/16W J			R1592	QRZ0221-3R9	UNF R	3.9Ω	
	R1135	NRSA63J-561X	MG R	560Ω 1/16W J			R1593	NRSA63J-821X	MG R	820Ω 1/16W J	
	R1136	NRSA63J-472X	MG R	4.7kΩ 1/16W J			R1594	QRE121J-183Y	C R	18kΩ 1/2W J	
	R1137	NRSA63J-103X	MG R	10kΩ 1/16W J			R1595	NRSA63J-222X	MG R	2.2kΩ 1/16W J	
	R1138	NRSA63J-561X	MG R	560Ω 1/16W J			R1621-22	NRSA63J-101X	MG R	100Ω 1/16W J	
	R1139	NRSA63J-222X	MG R	2.2kΩ 1/16W J			R1626	NRSA63J-472X	MG R	4.7kΩ 1/16W J	
	R1140	NRSA63J-152X	MG R	1.5kΩ 1/16W J			R1627	NRSA63J-224X	MG R	220kΩ 1/16W J	
	R1141	NRSA63J-182X	MG R	1.8kΩ 1/16W J			R1628	NRSA63J-104X	MG R	100kΩ 1/16W J	
	R1142	NRSA63J-561X	MG R	560Ω 1/16W J			R1629	NRSA63J-153X	MG R	15kΩ 1/16W J	
	R1143	NRSA63J-471X	MG R	470Ω 1/16W J			R1630	NRSA63J-273X	MG R	27kΩ 1/16W J	
	R1144	NRSA63J-220X	MG R	22Ω 1/16W J			R1631	NRSA63J-473X	MG R	47kΩ 1/16W J	
	R1145	NRSA63J-821X	MG R	820Ω 1/16W J			R1632-33	NRSA63J-103X	MG R	10kΩ 1/16W J	
	R1146	NRSA63J-103X	MG R	10kΩ 1/16W J			R1650-51	NRSA63J-103X	MG R	10kΩ 1/16W J	
	R1147	NRSA63J-101X	MG R	100Ω 1/16W J			R1652	NRSA63J-104X	MG R	100kΩ 1/16W J	
	R1148	NRSA63J-332X	MG R	3.3kΩ 1/16W J			R1653-55	NRSA63J-103X	MG R	10kΩ 1/16W J	
	R1149	NRSA63J-122X	MG R	1.2kΩ 1/16W J			R1656-57	NRSA63J-822X	MG R	8.2kΩ 1/16W J	
	R1301-02	NRSA63J-222X	MG R	2.2kΩ 1/16W J			R1660	NRSA63J-103X	MG R	10kΩ 1/16W J	
	R1303	NRSA63J-562X	MG R	5.6kΩ 1/16W J			R1661	NRSA63J-683X	MG R	68kΩ 1/16W J	
	R1304-05	NRSA63J-222X	MG R	2.2kΩ 1/16W J			R1662	NRSA63J-333X	MG R	33kΩ 1/16W J	
	R1306	NRSA63J-562X	MG R	5.6kΩ 1/16W J			R1663	NRSA63J-103X	MG R	10kΩ 1/16W J	
	R1350-51	NRSA63J-151X	MG R	150Ω 1/16W J			R1664	NRSA63J-222X	MG R	2.2kΩ 1/16W J	
	R1353	NRSA63J-151X	MG R	150Ω 1/16W J			R1688	NRSA63J-273X	MG R	27kΩ 1/16W J	
	R1354	QRE121J-182Y	C R	1.8kΩ 1/2W J			R1690	NRSA63J-104X	MG R	100kΩ 1/16W J	
	R1361	NRSA63J-0R0X	MG R	0.0Ω 1/16W J			R1691	NRSA63J-682X	MG R	6.8kΩ 1/16W J	
	R1363	QRZ0107-152Z	C R	1.5kΩ 1/2W K			R1692	NRSA63J-104X	MG R	100kΩ 1/16W J	
	R1364	QRE121J-182Y	C R	1.8kΩ 1/2W J			R1693	NRSA63J-103X	MG R	10kΩ 1/16W J	
	R1365	QRZ0107-152Z	C R	1.5kΩ 1/2W K			R1694	NRSA63J-472X	MG R	4.7kΩ 1/16W J	
	R1368	QRZ0107-152Z	C R	1.5kΩ 1/2W K			R1695	NRSA63J-562X	MG R	5.6kΩ 1/16W J	
	R1369	QRE121J-182Y	C R	1.8kΩ 1/2W J			R1696	NRSA63J-222X	MG R	2.2kΩ 1/16W J	
	R1373-74	QRE121J-124Y	C R	120kΩ 1/2W J			R1697	NRSA63J-103X	MG R	10kΩ 1/16W J	
	R1380-83	NRSA63J-101X	MG R	100Ω 1/16W J			R1698-99	NRSA63J-104X	MG R	100kΩ 1/16W J	
	R1384	NRSA63J-223X	MG R	22kΩ 1/16W J			R1701	NRSA63J-103X	MG R	10kΩ 1/16W J	
	R1401	NRSA63J-224X	MG R	220kΩ 1/16W J			R1702-03	NRSA63J-101X	MG R	100Ω 1/16W J	
	R1403	NRSA63J-0R0X	MG R	0.0Ω 1/16W J			R1704-06	NRSA63J-102X	MG R	1kΩ 1/16W J	
	R1405	NRSA63J-682X	MG R	6.8kΩ 1/16W J			R1707-10	NRSA63J-472X	MG R	4.7kΩ 1/16W J	
	R1406	NRSA63J-123X	MG R	12kΩ 1/16W J			R1711-14	NRSA63J-101X	MG R	100Ω 1/16W J	
	R1408	NRSA63J-682X	MG R	6.8kΩ 1/16W J			R1715-17	NRSA63J-103X	MG R	10kΩ 1/16W J	
	R1410	NRSA63J-123X	MG R	12kΩ 1/16W J			R1718-19	NRSA63J-221X	MG R	220Ω 1/16W J	
	R1411	QRG01GJ-221	OM R	220Ω 1W J			R1720	NRSA63J-102X	MG R	1kΩ 1/16W J	
	R1412	QRE121J-1R0Y	C R	1.0Ω 1/2W J			R1721-24	NRSA63J-221X	MG R	220Ω 1/16W J	
	R1413	QRX01GJ-2R7	MF R	2.7Ω 1W J			R1725	NRSA63J-103X	MG R	10kΩ 1/16W J	
	R1414	QRE121J-8R2Y	C R	8.2Ω 1/2W J			R1726	NRSA63J-472X	MG R	4.7kΩ 1/16W J	
	R1425	NRSA63J-683X	MG R	68kΩ 1/16W J			R1727	NRSA63J-104X	MG R	100kΩ 1/16W J	
	R1480	QRE121J-681Y	C R	680Ω 1/2W J			R1728	NRSA63J-103X	MG R	10kΩ 1/16W J	
	R1481	NRSA63J-223X	MG R	22kΩ 1/16W J			R1730	NRSA63J-223X	MG R	22kΩ 1/16W J	
	R1482	NRSA63J-562X	MG R	5.6kΩ 1/16W J			R1731	NRSA63J-101X	MG R	100Ω 1/16W J	
	R1483	NRSA63J-823X	MG R	82kΩ 1/16W J			R1732	NRSA63J-393X	MG R	39kΩ 1/16W J	
	R1484-85	NRSA63J-562X	MG R	5.6kΩ 1/16W J			R1733	NRSA63J-273X	MG R	27kΩ 1/16W J	

△ Symbol No.	Part No.	Part Name	Description	Local
RESISTOR				
R1734	NRSA63J-391X	MG R	390Ω 1/16W	J
R1735	NRSA63J-104X	MG R	100kΩ 1/16W	J
R1736	NRSA63J-333X	MG R	33kΩ 1/16W	J
R1737	NRSA63J-272X	MG R	2.7kΩ 1/16W	J
R1738	NRSA63J-103X	MG R	10kΩ 1/16W	J
R1739-41	NRSA63J-101X	MG R	100Ω 1/16W	J
R1742	NRSA63J-0R0X	MG R	0.0Ω 1/16W	J
R1743	QRE141J-102Y	C R	1KΩ 1/2W	J
R1744	NRSA63J-561X	MG R	560Ω 1/16W	J
R1745	NRSA63J-105X	MG R	1MΩ 1/16W	J
R1746	NRSA63J-333X	MG R	33kΩ 1/16W	J
R1747	NRSA63J-103X	MG R	10kΩ 1/16W	J
R1748-49	NRSA63J-105X	MG R	1MΩ 1/16W	J
R1755-56	NRSA63J-101X	MG R	100Ω 1/16W	J
R1757-58	NRSA63J-222X	MG R	2.2kΩ 1/16W	J
R1760	NRSA63J-682X	MG R	6.8kΩ 1/16W	J
R1770	QRE121J-271Y	C R	270Ω 1/2W	J
R1771	NRSA63J-102X	MG R	1kΩ 1/16W	J
R1772	QRE121J-271Y	C R	270Ω 1/2W	J
R1773	NRSA63J-102X	MG R	1kΩ 1/16W	J
R1775	NRSA63J-332X	MG R	3.3kΩ 1/16W	J
R1776	NRSA63J-392X	MG R	3.9kΩ 1/16W	J
R1777	NRSA63J-682X	MG R	6.8kΩ 1/16W	J
R1779	NRSA63J-272X	MG R	2.7kΩ 1/16W	J
R1780	NRSA63J-471X	MG R	470Ω 1/16W	J
R1781	NRSA63J-122X	MG R	1.2kΩ 1/16W	J
R1782	NRSA63J-181X	MG R	180Ω 1/16W	J
R1783	NRSA63J-221X	MG R	220Ω 1/16W	J
R1784	NRSA63J-331X	MG R	330Ω 1/16W	J
R1785	NRSA63J-471X	MG R	470Ω 1/16W	J
R1803	NRSA63J-333X	MG R	33kΩ 1/16W	J
R1804-07	NRSA63J-750X	MG R	75Ω 1/16W	J
R1808	NRSA63J-823X	MG R	82kΩ 1/16W	J
R1809	NRSA63J-391X	MG R	390Ω 1/16W	J
R1810	NRSA63J-823X	MG R	82kΩ 1/16W	J
R1811	NRSA63J-391X	MG R	390Ω 1/16W	J
R1812	NRSA63J-104X	MG R	100kΩ 1/16W	J
R1813	NRSA63J-222X	MG R	2.2kΩ 1/16W	J
R1815	NRSA63J-101X	MG R	100Ω 1/16W	J
R1818	NRSA63J-222X	MG R	2.2kΩ 1/16W	J
R1820	NRSA63J-101X	MG R	100Ω 1/16W	J
R1821	NRSA63J-222X	MG R	2.2kΩ 1/16W	J
R1823	NRSA63J-101X	MG R	100Ω 1/16W	J
R1824	NRSA63J-222X	MG R	2.2kΩ 1/16W	J
R1826	NRSA63J-101X	MG R	100Ω 1/16W	J
R1829	NRSA63J-750X	MG R	75Ω 1/16W	J
R1830-31	NRSA63J-222X	MG R	2.2kΩ 1/16W	J
R1832	NRSA63J-122X	MG R	1.2kΩ 1/16W	J
R1833	NRSA63J-102X	MG R	1kΩ 1/16W	J
R1834-35	NRSA63J-562X	MG R	5.6kΩ 1/16W	J
R1836	NRSA63J-750X	MG R	75Ω 1/16W	J
R1837	NRSA63J-101X	MG R	100Ω 1/16W	J
R1838	QRK126J-121X	C R	120Ω 1/2W	J
R1839-40	QRE121J-221Y	C R	220Ω 1/2W	J
R1841-42	NRSA63J-0R0X	MG R	0.0Ω 1/16W	J
R1843	NRSA63J-821X	MG R	820Ω 1/16W	J
R1844	NRSA63J-222X	MG R	2.2kΩ 1/16W	J
R1845	NRSA63J-102X	MG R	1kΩ 1/16W	J
R1846	NRSA63J-222X	MG R	2.2kΩ 1/16W	J
R1847	NRSA63J-103X	MG R	10kΩ 1/16W	J
R1848	NRSA63J-471X	MG R	470Ω 1/16W	J
R1849	NRSA63J-221X	MG R	220Ω 1/16W	J
R1850	NRSA63J-683X	MG R	68kΩ 1/16W	J
R1851	NRSA63J-104X	MG R	100kΩ 1/16W	J
R1852	NRSA63J-104X	MG R	100kΩ 1/16W	J
R1853	NRSA63J-223X	MG R	22kΩ 1/16W	J
R1854	NRSA63J-103X	MG R	10kΩ 1/16W	J
R1855	NRSA63J-104X	MG R	100kΩ 1/16W	J
R1856	NRSA63J-102X	MG R	1kΩ 1/16W	J
R1857	QRE121J-101Y	C R	100Ω 1/2W	J
R1858	NRSA63J-221X	MG R	220Ω 1/16W	J
R1859	NRSA63J-224X	MG R	220kΩ 1/16W	J

△ Symbol No.	Part No.	Part Name	Description	Local
RESISTOR				
R1860	NRSA63J-563X	MG R	56kΩ 1/16W	J
R1861	NRSA63J-333X	MG R	33kΩ 1/16W	J
R1862	NRSA63J-102X	MG R	1kΩ 1/16W	J
R1863-64	NRSA63J-103X	MG R	10kΩ 1/16W	J
R1865	NRSA63J-104X	MG R	100kΩ 1/16W	J
R1866	NRSA63J-562X	MG R	5.6kΩ 1/16W	J
R1867	NRSA63J-564X	MG R	560kΩ 1/16W	J
R1868	NRSA63J-102X	MG R	1kΩ 1/16W	J
R1869	NRSA63J-392X	MG R	3.9kΩ 1/16W	J
R1870	NRSA63J-222X	MG R	2.2kΩ 1/16W	J
R1873	NRSA63J-223X	MG R	22kΩ 1/16W	J
R1874	NRSA63J-0R0X	MG R	0.0Ω 1/16W	J
R1875	NRSA63J-223X	MG R	22kΩ 1/16W	J
R1876	NRSA63J-221X	MG R	220Ω 1/16W	J
R1877	NRSA63J-0R0X	MG R	0.0Ω 1/16W	J
R1880	NRSA63J-202X	MG R	2kΩ 1/16W	J
R1881	NRSA63J-103X	MG R	10kΩ 1/16W	J
R1882	NRSA63J-471X	MG R	470Ω 1/16W	J
R1883	NRSA63J-181X	MG R	180Ω 1/16W	J
R1902	QRF154K-2R2	UNF R	2.2Ω	K
R1904	QRE121J-681Y	C R	680Ω 1/2W	J
R1905	QRM034J-R15	MP R	0.15Ω 3W	J
R1906	QRT029J-1R0	MF R	1.0Ω 2W	J
R1907	NRSA63J-563X	MG R	56kΩ 1/16W	J
R1908	QRL039J-333	OM R	33kΩ 3W	J
R1909	QRE121J-274Y	C R	270kΩ 1/2W	J
R1910	QRE121J-822Y	C R	8.2kΩ 1/2W	J
R1911	QRE121J-562Y	C R	5.6kΩ 1/2W	J
R1912	NRSA63J-222X	MG R	2.2kΩ 1/16W	J
R1913	QRE121J-120Y	C R	12Ω 1/2W	J
△ R1915	QRZ0111-474	C R	470kΩ 1/2W	K
R1916	QRE121J-224Y	C R	220kΩ 1/2W	J
R1952	NRSA63J-332X	MG R	3.3kΩ 1/16W	J
R1953	NRSA63J-101X	MG R	100Ω 1/16W	J
R1954	QRE121J-560Y	C R	56Ω 1/2W	J
R1955	QRG01GJ-330	OM R	33Ω 1W	J
R1956	QRE121J-100Y	C R	10Ω 1/2W	J
R1957	QRE121J-6R8Y	C R	6.8Ω 1/2W	J
R1960	NRSA63J-391X	MG R	390Ω 1/16W	J
R1961	QRL02EJ-223X	OM R	22kΩ 2W	J
R1962	NRSA63J-561X	MG R	560Ω 1/16W	J
R1963	QRE121J-103Y	C R	10kΩ 1/2W	J
R1964	NRSA63J-473X	MG R	47kΩ 1/16W	J
R1965	NRSA63J-0R0X	MG R	0.0Ω 1/16W	J
R1966	NRSA63J-682X	MG R	6.8kΩ 1/16W	J
R1967	NRSA63J-473X	MG R	47kΩ 1/16W	J
R1970	NRSA63J-153X	MG R	15kΩ 1/16W	J
R1971	NRSA63J-183X	MG R	18kΩ 1/16W	J
△ R1991	QRZ0057-825	C R	8.2MΩ 1W	J
CAPACITOR				
C1001	NCB31HK-103X	C CAP.	0.01μF 50V	K
C1002	QETN1HM-106Z	E CAP.	10μF 50V	M
C1003	QFV71HJ-104Z	MF CAP.	0.1μF 50V	J
C1004	QETN1CM-477Z	E CAP.	470μF 16V	M
C1005	NCB31HK-222X	C CAP.	2200pF 50V	K
C1006	QETN1CM-336Z	E CAP.	33μF 16V	M
C1007	NCB31HK-103X	C CAP.	0.01μF 50V	K
C1101-05	NCB31HK-472X	C CAP.	4700pF 50V	K
C1106-07	NCB31HK-103X	C CAP.	0.01μF 50V	K
C1109	QETN1HM-106Z	E CAP.	10μF 50V	M
C1130-32	NCB31HK-103X	C CAP.	0.01μF 50V	K
C1133	QETN1CM-107Z	E CAP.	100μF 16V	M
C1134	NCB31HK-103X	C CAP.	0.01μF 50V	K
C1135	QETN1EM-476Z	E CAP.	47μF 25V	M
C1136-38	NCB31HK-103X	C CAP.	0.01μF 50V	K
C1140-42	NCB31HK-103X	C CAP.	0.01μF 50V	K
C1143	QETN1HM-106Z	E CAP.	10μF 50V	M
C1144	NCB31HK-223X	C CAP.	0.022μF 50V	K
C1308	NCB31HK-103X	C CAP.	0.01μF 50V	K

△ Symbol No.	Part No.	Part Name	Description	Local	△ Symbol No.	Part No.	Part Name	Description	Local
CAPACITOR					CAPACITOR				
C1352	QFK62EK-104Z	MM CAP.	0.1μF 250V K		C1709	QETN1CM-107Z	E CAP.	100μF 16V M	
C1353	QETN2EM-105Z	E CAP.	1μF 250V M		C1710	NCB21EK-224X	C CAP.	0.22μF 25V K	
C1354	QCZ0131-222	C CAP.	2200pF 2000V K		C1711	NCB31CK-104X	C CAP.	0.1μF 16V K	
C1355	QCZ0131-472	C CAP.	4700pF 2000V K		C1713	NCB31CK-104X	C CAP.	0.1μF 16V K	
C1356	QETN1CM-108Z	E CAP.	1000μF 16V M		C1714	QETN1CM-476Z	E CAP.	47μF 16V M	
C1357	NDC31HJ-101X	C CAP.	100pF 50V J		C1720	QETN1CM-476Z	E CAP.	47μF 16V M	
C1358	QETN1CM-477Z	E CAP.	470μF 16V M		C1725	NCB31HK-681X	C CAP.	680pF 50V K	
C1401	QETN1HM-105Z	E CAP.	1μF 50V M		C1726	QETN1HM-106Z	E CAP.	10μF 50V M	
C1402	QCB31HK-682Z	C CAP.	6800pF 50V K		C1730-31	NCB21EK-224X	C CAP.	0.22μF 25V K	
C1403	QEHR1VM-227Z	E CAP.	220μF 35V M		C1732	QETN1CM-107Z	E CAP.	100μF 16V M	
C1406	QFLC2AJ-683Z	M CAP.	0.068μF 100V J		C1733	NCB31CK-104X	C CAP.	0.1μF 16V K	
C1408	QFV71HJ-184Z	MF CAP.	0.18μF 50V J		C1734-35	NCB31HK-222X	C CAP.	2200pF 50V K	
C1411-12	NCF21HZ-334X	C CAP.	0.33μF 50V Z		C1736-37	QETN1HM-105Z	E CAP.	1μF 50V M	
C1413	QFLC2AJ-563Z	M CAP.	0.056μF 100V J		C1738	NCB31CK-104X	C CAP.	0.1μF 16V K	
C1422	QETN1VM-108Z	E CAP.	1000μF 35V M		C1739	NFV41CJ-104X	MPP CAP.	0.1μF 16V J	
C1480	QETN1HM-106Z	E CAP.	10μF 50V M		C1740	QETN1HM-225Z	E CAP.	2.2μF 50V M	
C1483	QEZO195-475Z	E CAP.	4.7μF 50V M		C1741-42	NCB31CK-104X	C CAP.	0.1μF 16V K	
C1485	QETN1HM-226Z	E CAP.	22μF 50V M		C1743	QETN1CM-477Z	E CAP.	470μF 16V M	
C1521	QETN1VM-476Z	E CAP.	47μF 35V M		C1744	NCB21HK-102X	C CAP.	1000pF 50V K	
C1522	QFLC1HJ-332Z	M CAP.	3300pF 50V J		C1745-47	NCB31EK-473X	C CAP.	0.047μF 25V K	
C1523	QFLC1HJ-223Z	M CAP.	0.022μF 50V J		C1749	QETN1HM-106Z	E CAP.	10μF 50V M	
C1524	QFZO196-472	MPP CAP.	4700pF 1.5kVH ±3%		C1751-53	NCB31CK-104X	C CAP.	0.1μF 16V K	
C1525	QFZO200-113	MPP CAP.	0.011μF 1.5kVH ±3%		C1760	NCB21EK-104X	C CAP.	0.1μF 25V K	
C1526	QFP32GJ-223	PP CAP.	0.022μF 400V J		C1761	QETN1CM-107Z	E CAP.	100μF 16V M	
C1527-28	QFZO199-184	MPP CAP.	0.18μF 250V J		C1770	QETN1HM-106Z	E CAP.	10μF 50V M	
C1529	QENC2AM-225Z	BP E CAP.	2.2μF 100V M		C1801-04	QETN1HM-106Z	E CAP.	10μF 50V M	
C1530	QCB32HK-561Z	C CAP.	560pF 500V K		C1805	QFLC1HJ-104Z	M CAP.	0.1μF 50V J	
C1531	QEHR1EM-108Z	E CAP.	1000μF 25V M		C1807-08	NCF31AZ-105X	C CAP.	1μF 10V Z	
C1533	QEHR1EM-108Z	E CAP.	1000μF 25V M		C1810	NCF31AZ-105X	C CAP.	1μF 10V Z	
C1535	QCB32HK-101Z	C CAP.	100pF 500V K		C1811	QFLC1HJ-104Z	M CAP.	0.1μF 50V J	
C1536	QFLC1HJ-103Z	M CAP.	0.01μF 50V J		C1812	NCF31AZ-105X	C CAP.	1μF 10V Z	
C1540	QFV71HJ-104Z	MF CAP.	0.1μF 50V J		C1813	NCB31HK-103X	C CAP.	0.01μF 50V K	
C1541	QETN2EM-475Z	E CAP.	4.7μF 250V M		C1814	QFLC1HJ-104Z	M CAP.	0.1μF 50V J	
C1550	NCB31CK-104X	C CAP.	0.1μF 16V K		C1815	NCF31AZ-105X	C CAP.	1μF 10V Z	
C1591	QETN1AM-107Z	E CAP.	100μF 10V M		C1817	NCF31AZ-105X	C CAP.	1μF 10V Z	
C1592	QETM2CM-227	E CAP.	220μF 160V M		C1819	QFLC1HJ-104Z	M CAP.	0.1μF 50V J	
C1593	QETN1EM-476Z	E CAP.	47μF 25V M		C1820-21	NCF31AZ-105X	C CAP.	1μF 10V Z	
C1625	QETN1HM-106Z	E CAP.	10μF 50V M		C1822	QETN1CM-477Z	E CAP.	470μF 16V M	
C1626	QETN1CM-107Z	E CAP.	100μF 16V M		C1823-24	QETN1CM-107Z	E CAP.	100μF 16V M	
C1629	QETN1HM-475Z	E CAP.	4.7μF 50V M		C1825	NCB31HK-103X	C CAP.	0.01μF 50V K	
C1630	NDC31HJ-471X	C CAP.	470pF 50V J		C1826	QFLC1HJ-104Z	M CAP.	0.1μF 50V J	
C1631	NCB31EK-333X	C CAP.	0.033μF 25V K		C1827	NCB31HK-103X	C CAP.	0.01μF 50V K	
C1632	NDC31HJ-471X	C CAP.	470pF 50V J		C1829-31	NCB31HK-103X	C CAP.	0.01μF 50V K	
C1633	NCB31EK-333X	C CAP.	0.033μF 25V K		C1833	QETN1HM-226Z	E CAP.	22μF 50V M	
C1634	QETN1HM-106Z	E CAP.	10μF 50V M		C1834	NDC31HJ-181X	C CAP.	180pF 50V J	
C1635	QETN1HM-475Z	E CAP.	4.7μF 50V M		C1850	QETN1HM-475Z	E CAP.	4.7μF 50V M	
C1636-37	QETN1HM-225Z	E CAP.	2.2μF 50V M		C1851	NDC31HJ-3R0X	C CAP.	3.0pF 50V J	
C1638	NCB31EK-333X	C CAP.	0.033μF 25V K		C1852	NCF31AZ-224X	C CAP.	0.22μF 10V Z	
C1639	NDC31HJ-471X	C CAP.	470pF 50V J		C1853-55	QETN1HM-475Z	E CAP.	4.7μF 50V M	
C1640	QETN1HM-475Z	E CAP.	4.7μF 50V M		C1856	QETN1HM-105Z	E CAP.	1μF 50V M	
C1641	QETN1CM-107Z	E CAP.	100μF 16V M		C1857	QETN1CM-107Z	E CAP.	100μF 16V M	
C1642	NCB31CK-104X	C CAP.	0.1μF 16V K		C1858-59	QETN1HM-475Z	E CAP.	4.7μF 50V M	
C1643	NCB31HK-562X	C CAP.	5600pF 50V K		C1860	NCF21CZ-105X	C CAP.	1μF 16V Z	
C1644	QETN1HM-475Z	E CAP.	4.7μF 50V M		C1863	NCB31EK-333X	C CAP.	0.033μF 25V K	
C1645-46	QETN1HM-106Z	E CAP.	10μF 50V M		C1867	QETN1HM-106Z	E CAP.	10μF 50V M	
C1647	NCB31EK-393X	C CAP.	0.039μF 25V K		C1868	NCB21CK-334X	C CAP.	0.33μF 16V K	
C1648	NCB31HK-223X	C CAP.	0.022μF 50V K		C1869	NCB31HK-333X	C CAP.	0.033μF 50V K	
C1650	QETN1HM-106Z	E CAP.	10μF 50V M		C1870	NCB21CK-334X	C CAP.	0.33μF 16V K	
C1651	QETN1HM-107Z	E CAP.	100μF 50V M		△ C1901	QFZ9073-104	MF CAP.	0.1μF	
C1652	QETN1HM-106Z	E CAP.	10μF 50V M		△ C1902	QFZ9073-473	MF CAP.	0.047μF	
C1654	QETM1VM-228	E CAP.	2200pF 35V M		△ C1903-05	QCZ9015-102Z	C CAP.	1000pF 250V Z	
C1655-56	QETM1VM-108	E CAP.	1000μF 35V M		△ C1906	QFZ9073-224	MF CAP.	0.22μF	
C1657	QETN1HM-106Z	E CAP.	10μF 50V M		C1907	QEZO199-227	E CAP.	220μF 400V M	
C1662	QETN1HM-106Z	E CAP.	10μF 50V M		C1908	QCZ0364-222	C CAP.	2200pF	
C1665	NCF31AZ-124X	C CAP.	0.12μF 10V Z		C1910	NDC21HJ-471X	C CAP.	470pF 50V J	
C1669	NCF31AZ-124X	C CAP.	0.12μF 10V Z		C1911	QETN1EM-227Z	E CAP.	220μF 25V M	
C1681-83	QETN1CM-227Z	E CAP.	220μF 16V M		C1913	QCZ0122-471	C CAP.	470pF	
C1684	QETN1HM-106Z	E CAP.	10μF 50V M		C1914	QETN1EM-227Z	E CAP.	220μF 25V M	
C1702	QETN1HM-106Z	E CAP.	10μF 50V M		C1915	QFLC1HJ-122Z	M CAP.	1200pF 50V J	
C1703-04	NDC31HJ-220X	C CAP.	22pF 50V J		C1952	QCB32HK-471Z	C CAP.	470pF 500V K	
C1706	NCB21EK-224X	C CAP.	0.22μF 25V K		C1953	QETM1VM-108	E CAP.	1000μF 35V M	
C1707	QETN1CM-107Z	E CAP.	100μF 16V M		C1954	NCB31HK-102X	C CAP.	1000pF 50V K	

△ Symbol No.	Part No.	Part Name	Description	Local
CAPACITOR				
C1955	QCB32HK-471Z	C CAP.	470pF 500V	K
C1956	QETN1VM-227Z	E CAP.	220μF 35V	M
C1957	QCB32HK-471Z	C CAP.	470pF 500V	K
C1958	QETN1CM-108Z	E CAP.	1000μF 16V	M
C1959	QCZ0364-561	C CAP.	570pF	
C1960	QEZO203-227	E CAP.	220μF 160V	M
C1962	QETN1HM-106Z	E CAP.	10μF 50V	M
C1963-64	QETN1CM-476Z	E CAP.	47μF 16V	M
C1968	NCB31CK-104X	C CAP.	0.1μF 16V	K
C1972	QETN1HM-476Z	E CAP.	47μF 50V	M
C1973	QETN1AM-107Z	E CAP.	100μF 10V	M
C1974	NCB31CK-104X	C CAP.	0.1μF 16V	K
C1975	QETN1CM-227Z	E CAP.	220μF 16V	M
C1976	QETN1AM-107Z	E CAP.	100μF 10V	M
C1977	QETN1EM-476Z	E CAP.	47μF 25V	M
C1978	NCB21HK-104X	C CAP.	0.1μF 50V	K
C1980	QETN1CM-107Z	E CAP.	100μF 16V	M
△ C1991-93	QCZ9079-102	C CAP.	1000pF 250V	M

TRANSFORMER

T1521	QQR1229-001	DRIVE TRANSF
△ T1551	QQH0097-001	FBT
△ T1901	QQS0121-001	SW TRANSF

COIL

L1001-02	QQL244K-8R2Z	COIL	8.2μH	K
L1101-02	QQL244K-5R6Z	COIL	5.6μH	K
L1103	QQL244K-100Z	COIL	10μH	K
L1104	QQL244K-180Z	COIL	18μH	K
L1351	QQL244K-5R6Z	COIL	5.6μH	K
L1480	QQR1138-001	CHOKE COIL		
L1523	QQR1137-005	LINEARITY COIL		
L1524	QQLZ026-140	HEATER CHOKE		
L1731	QQL244J-5R6Z	COIL	5.6μH	J
L1701-02	QQL244K-100Z	COIL	10μH	K
L1951	QQLZ034-460	HEATER CHOKE		
L1954	QQL244J-5R6Z	COIL	5.6μH	J

DIODE

D1101	DAN235K-X	SI.DIODE
D1351	MA111-X	SI.DIODE
D1356	MA111-X	SI.DIODE
D1357	RGF10J-5025-T3	SI.DIODE
D1358	RGF10J-5025-T3	SI.DIODE
D1359	RGF10J-5025-T3	SI.DIODE
D1360	MA3075/M-X	ZENER DIODE
D1361-64	MA111-X	SI.DIODE
D1401	RGF10J-5025-T3	SI.DIODE
D1402	MTZJ75-T2	ZENER DIODE
D1405	1N4003-T2	SI.DIODE
D1408	MA111-X	SI.DIODE
D1480	MTZJ4.3A-T2	ZENER DIODE
D1521	RH3G-F1	SI.DIODE
D1522	31DF6N-FC5	DIODE
D1523	RGF10J-5025-T3	SI.DIODE
D1541	RGF10J-5025-T3	SI.DIODE
D1550	MA111-X	SI.DIODE
D1551	RGF10J-5025-T3	SI.DIODE
D1553	RGF10J-5025-T3	SI.DIODE
D1554	RGF10J-5025-T3	SI.DIODE
D1592	MA3075/H-X	ZENER DIODE
D1651-53	MA3330/L-X	ZENER DIODE
D1654	MA111-X	SI.DIODE
D1682	MA111-X	SI.DIODE
D1702	MA3024-X	ZENER DIODE
D1730-33	MA111-X	SI.DIODE
D1760	SLR-342VR-T16	L.E.D.

△ Symbol No.	Part No.	Part Name	Description	Local
DIODE				
D1770	MA111-X	SI.DIODE		
D1771	P1241-04	C.D.S.		
D1801-02	MA3120/M-X	ZENER DIODE		
D1850	MA3043-X	ZENER DIODE		
D1851-54	MA111-X	SI.DIODE		
D1901	GSIB460	BRIDGE DIODE		
D1903	MTZJ12C-T2	ZENER DIODE		
D1904	EG01C-T2	SI.DIODE		
D1906	EG01C-T2	SI.DIODE		
D1907	MA3300/M-X	CHIP ZENER DIODE		
D1908	MTZJ27B-T2	ZENER DIODE		
D1909	MA111-X	SI.DIODE		
D1910	NRSA63J-0R0X	MG R	0.0Ω 1/16W	J
D1911	RGF10J-TS-T3	SI.DIODE		
D1912	1SS133-T2	SI.DIODE		
D1914	ERC30-02L38	SI.DIODE		
D1952	FSF05A20	SI.DIODE		
D1953	RGF10J-5025-T3	SI.DIODE		
D1954	RK14-T3	SI.DIODE		
D1955	1SR35-400A-T2	SI.DIODE		
D1956	31DF6N-FC5	DIODE		
D1958	MTZJ5.1A-T2	ZENER DIODE		
D1964	MA3330/L-X	ZENER DIODE		
D1965	1SS133-T2	SI.DIODE		
D1966	MA3068/M-X	ZENER DIODE		
D1968-69	MA111-X	SI.DIODE		

TRANSISTOR

Q1101	2SC5083/L-P-T	SI.TRANSISTOR
Q1102	DTC124EKA-X	DIGI.TRANSISTOR
Q1104	2SA1037AK/QR/-X	SI.TRANSISTOR
Q1105-06	DTC124EKA-X	DIGI.TRANSISTOR
Q1107	2SA1037AK/QR/-X	SI.TRANSISTOR
Q1108	2SC2412K/QR/-X	SI.TRANSISTOR
Q1109	2SA1037AK/QR/-X	SI.TRANSISTOR
Q1110	DTC124EKA-X	DIGI.TRANSISTOR
Q1111	2SC2412K/QR/-X	SI.TRANSISTOR
Q1130	2SA1037AK/QR/-X	SI.TRANSISTOR
Q1131	DTC124EKA-X	DIGI.TRANSISTOR
Q1132	2SC2412K/QR/-X	SI.TRANSISTOR
Q1133	2SA1037AK/QR/-X	SI.TRANSISTOR
Q1134-35	DTC124EKA-X	DIGI.TRANSISTOR
Q1136-37	2SC2412K/QR/-X	SI.TRANSISTOR
Q1301-02	2SA1037AK/QR/-X	SI.TRANSISTOR
Q1351	2SA1037AK/QR/-X	SI.TRANSISTOR
Q1353-55	2SC2412K/QR/-X	SI.TRANSISTOR
Q1480	2SD1408/OY/-LB	SI.TRANSISTOR
Q1521	2SC2655/Y-T	SI.TRANSISTOR
Q1522	2SD2634-YD	SI.TRANSISTOR
Q1591	2SA1208/ST/Z1-T	SI.TRANSISTOR
Q1592	DTC124EKA-X	DIGI.TRANSISTOR
Q1650	DTC323TK-X	DIGI.TRANSISTOR
Q1651	DTC124EKA-X	DIGI.TRANSISTOR
Q1660-61	2SC2412K/QR/-X	SI.TRANSISTOR
Q1683-84	2SA1037AK/QR/-X	SI.TRANSISTOR
Q1685-86	DTC323TK-X	DIGI.TRANSISTOR
Q1687	2SC2412K/QR/-X	SI.TRANSISTOR
Q1688	2SA1037AK/QR/-X	SI.TRANSISTOR
Q1701-02	2SA1037AK/QR/-X	SI.TRANSISTOR
Q1703	2SC2412K/QR/-X	SI.TRANSISTOR
Q1720	2SA1037AK/QR/-X	SI.TRANSISTOR
Q1770	2SA1037AK/QR/-X	SI.TRANSISTOR
Q1801-02	DTC323TK-X	DIGI.TRANSISTOR
Q1803	2SA1037AK/QR/-X	SI.TRANSISTOR
Q1804	2SC1740S/QR-T	SI.TRANSISTOR
Q1850	2SK301/P-T	F.E.T.
Q1851-52	2SC2412K/QR/-X	SI.TRANSISTOR
Q1860	2SC2412K/QR/-X	SI.TRANSISTOR
Q1861-62	2SA1037AK/QR/-X	SI.TRANSISTOR
Q1952-54	2SC2412K/QR/-X	SI.TRANSISTOR

△	Symbol No.	Part No.	Part Name	Description	Local
IC					
	IC1130	M52342SP	I.C(MONO-ANA)		
	IC1351	TDA6107Q/N2	I.C		
	IC1401	AN5522	I.C		
IC					
	IC1480	UPC358G2-XE	I.C(MONO-ANA)		
	IC1602	BH3866AS	I.C		
	IC1650	AN7585	I.C		
	IC1701	TDA9386N12S0450	I.C		
	IC1702	AST24C08-25LXB	I.C(MEMORY-OTH)	(SERVICE)	
	IC1760	GP1U281Q	IFR DETECT UNIT		
	IC1801	MM1492AF	I.C		
	IC1850	BA10324AF-XE	I.C(MONO-ANA)		
	IC1901	STR-F6709A/F7	I.C		
	IC1951	SE135N	I.C(HYBRID)		
	IC1972	L88M33T-X	I.C		
	IC1974	BA51W12ST-V5	I.C(MONO-ANA)		
OTHERS					
		LC30114-001C-H	L.E.D.HOLDER		
		CM35921-005-H	CDS HOLDER		
	CF1103	TPSH6.0MB	CERAMIC FILTER		
	CF1104	TPS5.5MW	CERAMIC FILTER		
	CF1105	TPS6.5MB	CERAMIC FILTER		
	CF1106	QAX0639-001Z	CERAMIC FILTER		
	CF1130	QAX0642-001Z	CERAMIC FILTER		
	CF1140	QAX0336-001	CERAMIC FILTER		
	CF1141	QAX0337-001	CERAMIC FILTER		
	CF1142	QAX0338-001	CERAMIC FILTER		
	CL1001-02	QZW0028-002	WIRE CLAMP		
△	CP1951	ICP-N75-Y	I.C.PROTECT		
△	CP1952	ICP-N50-Y	I.C.PROTECT		
△	CP1953	ICP-N38-Y	I.C.PROTECT		
△	F1901	QMF51E2-4R0J4	FUSE		
	FC1901	CEMG002-001Z	FUSE CLIP		
	J1770	QNS0155-001	JACK		
	J1771	QNN0282-003	PIN JACK		
	J1772	QNN0282-002	PIN JACK		
	J1773	QNN0282-001	PIN JACK		
	J1774	QNS0100-001	3.5 JACK		
	J1801	QNN0349-001	PIN JACK		
	J1802	QNN0349-002	PIN JACK		
	J1803	QNN0348-001	PIN JACK		
	J1804	QNN0349-001	PIN JACK		
	K1101-03	QQR1214-001Y	FERRITE BEADS		
	K1104	CE42050-001Z	CORE		
	K1701	QQR1214-001Y	FERRITE BEADS		
	K1951	QQR1214-001Y	FERRITE BEADS		
	K1953-55	QQR1214-001Y	FERRITE BEADS		
△	LF1901	QQR0673-004	LINE FILTER		
△	LF1902	QQR1035-002	LINE FILTER		
△	PC1901	PC123F2	I.C(PH.COUPLER)		
△	RY1901	QSK0061-001	RELAY		
	S1780	QSW0619-003Z	PUSH SWITCH	MENU	
	S1781	QSW0619-003Z	PUSH SWITCH	CH-	
	S1782	QSW0619-003Z	PUSH SWITCH	CH+	
	S1783	QSW0619-003Z	PUSH SWITCH	VOL-	
	S1784	QSW0619-003Z	PUSH SWITCH	VOL+	
△	S1901	QSW0846-001	PUSH SWITCH	POWER	
	SF1101	QAX0325-001	SAW FILTER		
	SF1102	QAX0594-001	SAW FILTER		
	SG1301-03	QAF0006-501	SPARK GAP		
	SG1304	QAF0041-472	SPARK GAP		
△	SK1351	CE42446-001	C.R.T.SOCKET		
	TH1901	QAD0134-4R5	W-PTC		
	TU1001	QAU0185-004	TUNER		
△	VA1901	QAF0052-621	VARIATOR		
	W1003	QQR1214-001Y	FERRITE BEADS		
	W1008	NRSA63J-0R0X	MG R	0.0Ω 1/16W J	

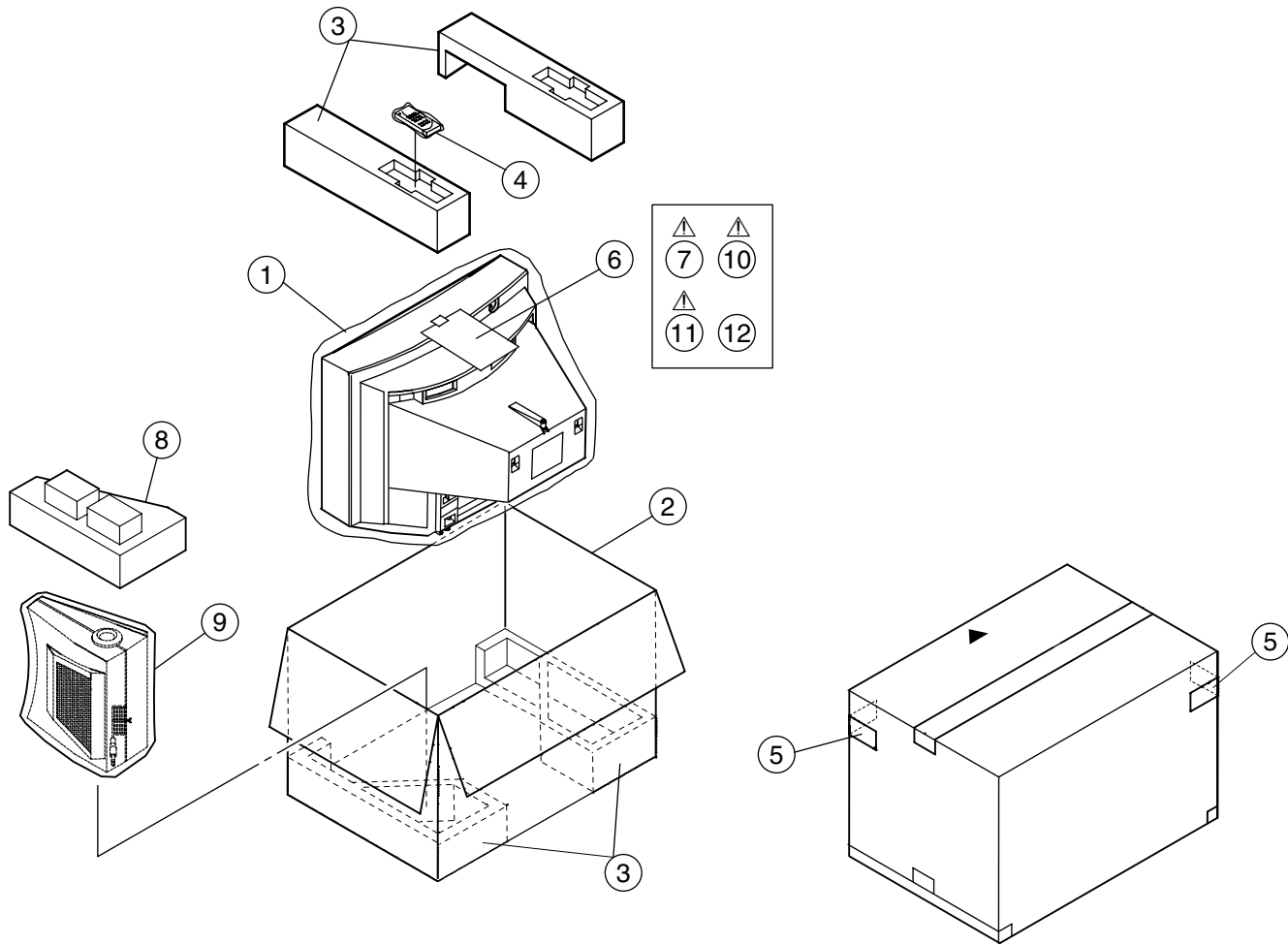
△	Symbol No.	Part No.	Part Name	Description	Local
OTHERS					
	W1010	NRSA63J-0R0X	MG R	0.0Ω 1/16W J	
	W1071	NRSA63J-0R0X	MG R	0.0Ω 1/16W J	
	W1239	NRSA63J-0R0X	MG R	0.0Ω 1/16W J	
	W1257-58	NRSA63J-0R0X	MG R	0.0Ω 1/16W J	
	W1260	NRSA63J-0R0X	MG R	0.0Ω 1/16W J	
	W1299	NRSA63J-0R0X	MG R	0.0Ω 1/16W J	
	W1307	NRSA63J-0R0X	MG R	0.0Ω 1/16W J	
	W1309	NRSA63J-0R0X	MG R	0.0Ω 1/16W J	
	W1321-22	NRSA63J-0R0X	MG R	0.0Ω 1/16W J	
	W1325-26	NRSA63J-0R0X	MG R	0.0Ω 1/16W J	
	W1330	NRSA63J-0R0X	MG R	0.0Ω 1/16W J	
	W1333	NRSA63J-0R0X	MG R	0.0Ω 1/16W J	
	W1379	NRSA63J-0R0X	MG R	0.0Ω 1/16W J	
	W1388	NRSA63J-0R0X	MG R	0.0Ω 1/16W J	
	W1416	NRSA63J-0R0X	MG R	0.0Ω 1/16W J	
	W1418	NRSA63J-0R0X	MG R	0.0Ω 1/16W J	
	W1428	NRSA63J-0R0X	MG R	0.0Ω 1/16W J	
	W1430	NRSA63J-0R0X	MG R	0.0Ω 1/16W J	
	X1701	QAX0688-001	X TAL		
	Y1001-02	NRSA63J-0R0X	MG R	0.0Ω 1/16W J	
	Y1130	NRSA63J-0R0X	MG R	0.0Ω 1/16W J	
	Y1301-02	NRSA63J-0R0X	MG R	0.0Ω 1/16W J	
	Y1601	NRSA63J-0R0X	MG R	0.0Ω 1/16W J	

REMOTE CONTROL UNIT PARTS LIST (RM-C356-1C)

△	Ref.No.	Part No.	Part Name	Description	Local
		31392340128	BATTERY COVER		

AV-25LXB

PACKING



PACKING PARTS LIST

△ Ref.No.	Part No.	Part Name	Description	Local
1	CP30967-003-H	POLY BAG	[AV-21LXB, AV-21LXB-A]	
1	CP30967-004-H	POLY BAG	[AV-25LXB, AV-25LXB-A]	
2	GG10044-028A-H	P CASE	[AV-21LXB, AV-21LXB-A]	
2	GG10044-030B-H	P CASE	[AV-25LXB, AV-25LXB-A]	
3	GG10131-001B-H	CUSHION ASSY	[AV-21LXB, AV-21LXB-A]	
3	GG10135-001B-H	CUSHION ASSY	[AV-25LXB, AV-25LXB-A]	
4	RM-C356-1C	RC HAND UNIT		
5	GG20012-001A-H	CORNER LABEL	(X2)	
6	CP30966-001-H	POLY BAG		
△ 7	LCT0935-001B-H	INST BOOK		
8	GG10142-001B-H	BASS TOP CUSHION		
9	CP30967-002-H	POLY BAG		
△ 10	LCT0937-001A-H	DIGEST MANUAL		
△ 11	QAM0055-001	CONVERSION PLUG	[AV-21LXB-A, AV-25LXB-A]	